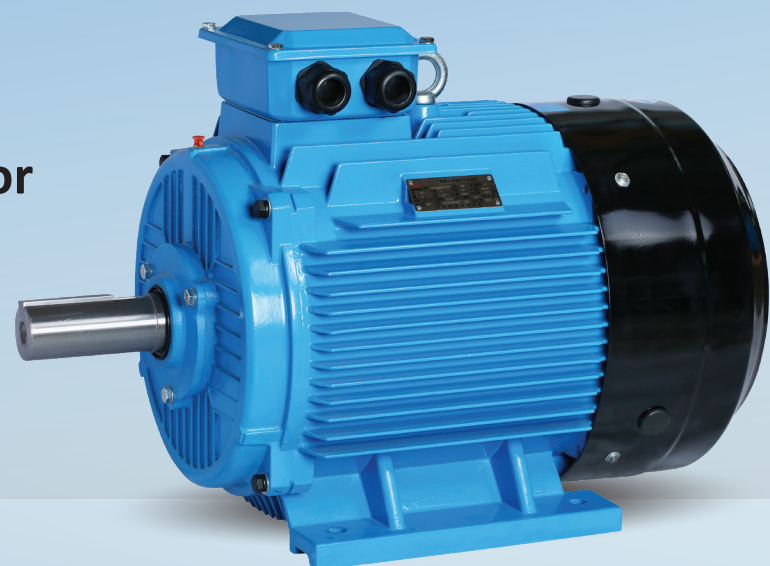


YE5

三相异步电动机

YE5 Series Three-phase Asynchronous Motor



YE5系列(中心高H80-355mm、0.55-375kw)电动机是全封闭、自扇风冷式鼠笼型三相异步电动机。一般电压为380V、频率为50Hz,也可按客户要求定制。工作环境-15-40°C,海拔不超过1000M,绝缘等级F(B极考核)、防护等级IP55、冷却方式IC411、工作制S1、安装方式符合IEC和DIN标准。

YE5系列电动机为一般用途的电动机,适用于驱动无特殊要求的各种机械设备。YE5系列电动机满足GB18613-2020能效限值1级。

YE5 Series (Center height H80-355mm, power range 0.55-375kw) electric motor is full-enclosed fan cool squirrel cage three phase induction motor, Usually 380V 50Hz and can also meet customer special requirement. Working environment: -15-40 °C, altitude: below 1000m, insulation grade: class F, IP55, cooling method: IC411, Duty: S1, meet standards IEC and DIN ,applied internationally in all kinds of machines that need motor drive. YE5 Series electric motor fit GB18613-2020 Eff1 is your best choice.

产品型号示例 Sample Product Model

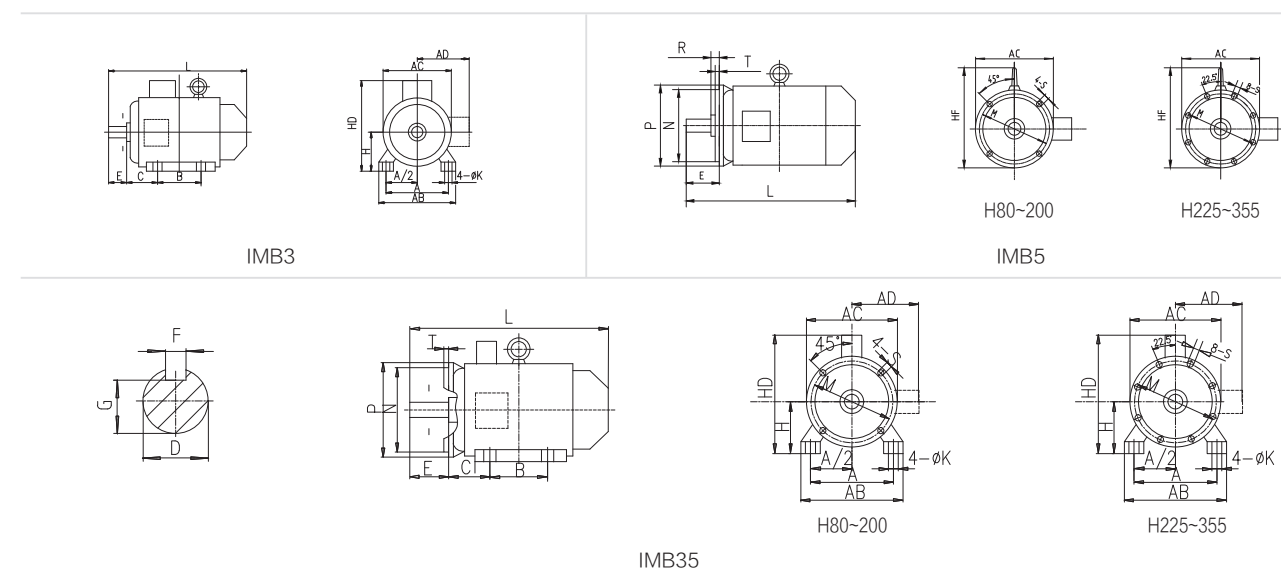
YE5 — 180M — 2

极数:2极
Pole count: 2 poles

规格代号。表示中心高180mm,M机座
Specification code: 180mm high,M stand

产品代号,表示异步电动机。E5为符合IE5效率的设计。
Product code: represents asynchronous motor. E5 is designed to meet IE5 efficiency.

YE5系列三相异步电动机安装及外形尺寸图 YE5 Series Motor Mounting and Overall Dimensions



机座号 Frame Size	级数 Pole	安装尺寸Mounting Dimensions(mm)														外形尺寸Overall Dimensions(mm)						
		A	B	C	D	E	F	G	H	K	M	N	P	R	S	T	AB	AC	AD	HD	HF	L
80M		125	100	50	19	40	6	15.5	80	10	165	130	200	0	12	3.5	165	175	145	220	-	310
90S		140	100	56	24	50	8	20	90	10	165	130	200	0	12	3.5	180	205	170	265	-	360
90L		140	125	56	24	50	8	20	90	10	165	130	200	0	12	3.5	180	205	170	265	-	390
100L		160	140	63	28	60	8	24	100	12	215	180	250	0	14.5	4	205	215	180	270	305	440
112M		190	140	70	28	60	8	24	112	12	215	180	250	0	14.5	4	230	255	200	310	275	470
132S	2	216	140	89	38	80	10	33	132	12	265	230	300	0	14.5	4	270	310	230	365	335	515
132M	4	216	178	89	38	80	10	33	132	12	265	230	300	0	14.5	4	270	310	230	365	335	550
160M	6	254	210	108	42	110	12	37	160	14.5	300	250	350	0	18.5	5	320	340	260	425	390	730
160L		254	254	108	42	110	12	37	160	14.5	300	250	350	0	18.5	5	320	340	260	425	390	760
180M		279	241	121	48	110	14	42.5	180	14.5	300	250	350	0	18.5	5	355	390	285	460	435	770
180L		279	279	121	48	110	14	42.5	180	14.5	300	250	350	0	18.5	5	355	390	285	460	435	800
200L		318	305	133	55	110	16	49	200	18.5	350	300	400	0	18.5	5	395	445	320	520	495	860
225S	4	356	286	149	60	140	18	53	225	18.5	400	350	450	0	18.5	5	435	495	350	575	550	830
225M	2	356	311	149	55	110	16	49	225	18.5	400	350	450	0	18.5	5	435	495	350	575	550	830
	4、6				60	140	18	53	225								435	495	350	575	550	860
250M	2	406	349	168	60	140	18	53	250	24	500	450	550	0	18.5	5	490	550	390	635	615	990
	4、6				65	140	18	58	250								490	550	390	635	615	990
280S	2	457	368	190	65	140	18	58	280	24	500	450	550	0	18.5	5	550	630	435	705	675	990
	4、6				75	140	20	67.5	280								550	630	435	705	675	990
280M	2	457	419	190	65	140	18	58	280	24	500	450	550	0	18.5	5	550	630	435	705	675	1040
	4、6				75	140	20	67.5	280								550	630	435	705	675	1040
315S	2	508	406	216	65	140	18	58	315	28	600	550	660	0	24	6	635	645	530	845	-	1210
	4、6				80	170	22	71	315								635	645	530	845	-	1240
315M	2	508	457	216	65	140	18	58	315	28	600	550	660	0	24	6	635	645	530	845	-	1320
	4、6				80	170	22	71	315								635	645	530	845	-	1350
315L	2	508	508	216	65	140	18	58	315	28	600	550	660	0	24	6	635	645	530	845	-	1320
	4、6				80	170	22	71	315								635	645	530	845	-	1350
355M	2	610	560	254	75	140	20	67.5	355	28	740	680	800	0	24	6	730	710	665	1010	-	1510
	4、6				95	170	25	86	355								730	710	665	1010	-	1550
355L	2	610	630	254	75	140	20	67.5	355	28	740	680	800	0	24	6	730	710	665	1010	-	1510
	4、6				95	170	25	86	355								730	710	665	1010	-	1550

注:若有特殊要求,可按用户需求提供。 Please contact us with your requirement.

技术数据 Technical Data

型号 Type	功率 Output (kW)	额定转速 Rated Speed (r/min)	电流 Current (A)	电压 Voltage (V)	效率 Efficiency (%)	功率因数 COSΦ	堵转转矩 额定转矩 Tst/Tn	堵转电流 额定电流 Ist/In	最大转矩 输出转矩 Tm/Tn	重量 Weight (kg)	噪音 Nisie LWdB(A)
YE5-80M1-2	0.75	2900	1.59	380	86.3	0.83	2.2	8.5	2.3	17	62
YE5-80M2-2	1.1	2900	2.29	380	87.8	0.83	2.2	8.5	2.3	19	62
YE5-80M1-4	0.55	1440	1.34	380	86.7	0.72	2.3	8.5	2.3	18	56
YE5-80M2-4	0.75	1440	1.75	380	88.2	0.74	2.3	8.5	2.3	19	56
YE5-90S-2	1.5	2900	3.02	380	88.9	0.85	2.2	9.0	2.3	25	67
YE5-90L-2	2.2	2905	4.31	380	90.2	0.86	2.2	9.0	2.3	30	67
YE5-90S-4	1.1	1445	2.49	380	89.5	0.75	2.3	8.5	2.3	27	59
YE5-90L-4	1.5	1445	3.32	380	90.4	0.76	2.3	9.0	2.3	32	59
YE5-90S-6	0.75	955	1.90	380	85.7	0.7	2.1	7.5	2.1	25.5	57
YE5-90L-6	1.1	955	2.74	380	87.2	0.7	2.1	7.5	2.1	31	57
YE5-100L-2	3	2910	5.75	380	91.1	0.87	2.2	9.5	2.3	43	74
YE5-100L1-4	2.2	1455	4.63	380	91.4	0.79	2.3	9.0	2.3	43	64
YE5-100L2-4	3	1460	6.19	380	92.1	0.8	2.3	9.5	2.3	47	64
YE5-100L-6	1.5	960	3.63	380	88.4	0.71	2.1	7.5	2.1	40.5	61
YE5-100L1-8	0.75	705	2.01	380	82.0	0.66	2.0	7.0	2.0	32	59
YE5-100L2-8	1.1	710	2.86	380	84.0	0.67	2.0	7.0	2.0	36	59
YE5-112M-2	4	2910	7.52	380	91.8	0.88	2.2	9.5	2.3	58	77
YE5-112M-4	4	1460	8.19	380	92.8	0.8	2.3	9.5	2.3	70	65
YE5-112M-6	2.2	970	5.25	380	89.7	0.71	2.1	7.5	2.1	54	65
YE5-112M-8	1.5	715	3.65	380	85.5	0.69	2.0	7.0	2.0	51.5	61
YE5-132S1-2	5.5	2915	10.26	380	92.6	0.88	2.0	9.5	2.3	68	79
YE5-132S2-2	7.5	2915	13.72	380	93.3	0.89	2.0	9.5	2.3	77	79
YE5-132S-4	5.5	1470	11.18	380	93.4	0.8	2.0	9.5	2.3	74	71
YE5-132M-4	7.5	1470	14.97	380	94.0	0.81	2.0	9.5	2.3	86	71
YE5-132S-6	3	970	7.09	380	90.6	0.71	2.0	7.5	2.1	70	69
YE5-132M1-6	4	970	9.24	380	91.4	0.72	2.0	8.0	2.1	78	69
YE5-132M2-6	5.5	970	12.59	380	92.2	0.72	2.0	8.0	2.1	90	69
YE5-132S-8	2.2	715	5.48	380	87.2	0.7	1.8	7.5	2.0	63	64
YE5-132M-8	3	715	7.37	380	88.4	0.7	1.8	7.8	2.0	68	64
YE5-160M1-2	11	2955	19.98	380	94.0	0.89	2.0	9.5	2.3	128	81
YE5-160M2-2	15	2955	27.10	380	94.5	0.89	2.0	9.5	2.3	135	81
YE5-160L-2	18.5	2955	33.28	380	94.9	0.89	2.0	9.5	2.3	148	81
YE5-160M-4	11	1475	21.29	380	94.6	0.83	2.0	9.5	2.3	125	73
YE5-160L-4	15	1475	28.53	380	95.1	0.84	2.0	9.5	2.3	140	73
YE5-160M-6	7.5	980	16.14	380	92.9	0.76	2.0	8.0	2.1	137	73
YE5-160L-6	11	980	23.16	380	93.7	0.77	2.0	8.5	2.1	156	73
YE5-160M1-8	4	720	9.57	380	89.4	0.71	1.8	7.9	2.0	120	68
YE5-160M2-8	5.5	720	12.84	380	90.4	0.72	1.8	8.1	2.0	155	68
YE5-160L-8	7.5	720	16.87	380	91.3	0.74	1.8	7.8	2.0	164	68
YE5-180M-2	22	2965	39.49	380	95.1	0.89	2.0	9.5	2.3	200	83
YE5-180M-4	18.5	1480	34.70	380	95.3	0.85	2.0	9.5	2.3	203	76
YE5-180L-4	22	1480	41.18	380	95.5	0.85	2.0	9.5	2.3	217	76
YE5-180L-6	15	980	30.21	380	94.3	0.8	2.0	8.5	2.1	194	73
YE5-180L-8	11	730	24.50	380	92.2	0.74	1.8	7.9	2.0	193	70
YE5-200L1-2	30	2970	53.63	380	95.5	0.89	2.0	9.0	2.3	240	84
YE5-200L2-2	37	2970	65.93	380	95.8	0.89	2.0	9.0	2.3	260	84
YE5-200L-4	30	1485	55.92	380	95.9	0.85	2.0	9.0	2.3	255	76
YE5-200L1-6	18.5	985	37.14	380	94.6	0.8	2.0	8.5	2.1	226	73

型号 Type	功率 Output (kW)	额定转速 Rated Speed (r/min)	电流 Current (A)	电压 Voltage (V)	效率 Efficiency (%)	功率因数 COSΦ	堵转转矩 额定转矩 Tst/Tn	堵转电流 额定电流 Ist/In	最大转矩 输出转矩 Tm/Tn	重量 Weight (kg)	噪音 Nisie LWdB(A)
YE5-200L2-6	22	985	43.49	380	94.9	0.81	2.0	8.5	2.1	245	73
YE5-200L-8	15	732	32.71	380	92.9	0.75	1.8	8.0	2.0	231	73
YE5-225M-2	45	2975	80.02	380	96.0	0.89	2.0	9.0	2.3	337	86
YE5-225S-4	37	1485	68.82	380	96.1	0.85	2.0	9.0	2.3	322	78
YE5-225M-4	45	1485	83.53	380	96.3	0.85	2.0	9.0	2.3	352	78
YE5-225M-6	30	989	58.33	380	95.3	0.82	2.0	8.3	2.1	307	74
YE5-225S-8	18.5	735	40.17	380	93.3	0.75	1.8	8.1	2.0	274	73
YE5-225M-8	22	735	46.99	380	93.6	0.76	1.8	8.3	2.0	300	73
YE5-250M-2	55	2985	97.60	380	96.2	0.89	2.0	9.0	2.3	398	89
YE5-250M-4	55	1485	100.69	380	96.5	0.86	2.0	9.0	2.3	400	79
YE5-250M-6	37	990	70.85	380	95.6	0.83	2.0	8.3	2.1	380	76
YE5-250M-8	30	735	62.91	380	94.1	0.77	1.8	7.9	2.0	365	75
YE5-280S-2	75	2985	132.68	380	96.5	0.89	1.8	8.5	2.3	540	91
YE5-280M-2	90	2985	159.05	380	96.6	0.89	1.8	8.5	2.3	590	91
YE5-280S-4	75	1490	135.45	380	96.7	0.87	2.0	8.5	2.3	570	80
YE5-280M-4	90	1490	160.36	380	96.9	0.88	2.0	8.5	2.3	625	80
YE5-280S-6	45	990	85.99	380	95.8	0.83	2.0	8.5	2.0	490	78
YE5-280M-6	55	990	103.63	380	96.0	0.84	2.0	8.5	2.0	550	78
YE5-280S-8	37	740	76.35	380	94.4	0.78	1.8	7.9	2.0	490	76
YE5-280M-8	45	740	92.56	380	94.7	0.78	1.8	7.9	2.0	560	76
YE5-315S-2	110	2980	194.00	380	96.8	0.89	1.8	8.5	2.3	915	92
YE5-315M-2	132	2980	232.56	380	96.9	0.89	1.8	8.5	2.3	980	92
YE5-315L1-2	160	2980	281.60	380	97.0	0.89	1.8	8.5	2.2	1070	92
YE5-315L2-2	200	2980	351.27	380	97.2	0.89	1.8	8.5	2.2	1120	92
YE5-315S-4	110	1490	193.60	380	97	0.89	1.8	8.5	2.2	912	88
YE5-315M-4	132	1490	232.08	380	97.1	0.89	1.8	8.5	2.2	1010	88
YE5-315L1-4	160	1490	277.89	380	97.2	0.9	1.8	8.5	2.2	1080	88
YE5-315L2-4	200	1490	346.65	380	97.4	0.9	1.8	8.5	2.2	1200	88
YE5-315S-6	75	990	140.87	380	96.3	0.84	1.6	8.0	2.0	890	83
YE5-315M-6	90	990	166.71	380	96.5	0.85	1.6	8.0	2.0	980	83
YE5-315L1-6	110	990	203.55	380	96.6	0.85	1.6	8.0	2.0	1030	83
YE5-315L2-6	132	990	240.92	380	96.8	0.86	1.6	8.0	2.0	1140	83
YE5-315S-8	55	740	110.07	380	94.9	0.8	1.6	8.2	2.0	810	82
YE5-315M-8	75	740	149.47	380	95.3	0.8	1.6	7.6	2.0	950	82
YE5-315L1-8	90	740	176.78	380	95.5	0.81	1.6	7.7	2.0	1050	82
YE5-315L2-8	110	740	215.61	380	95.7	0.81	1.6	7.7	2.0	1110	82
YE5-355M-2	250	2980	429.44	380	97.2	0.91	1.6	8.5	2.2	1900	97
YE5-355L-2	315	2980	541.09	380	97.2	0.91	1.6	8.5	2.2	2300	97
YE5-355M1-4	220	1490	381.32	380	97.4	0.9	1.8	8.5	2.2	1580	92
YE5-355M-4	250	1490	433.32	380	97.4	0.9	1.8	8.5	2.2	1700	92
YE5-355L-4	315	1490	545.98	380	97.4	0.9	1.8	8.5	2.2	1900	92
YE5-355M1-6	160	990	291.72	380	96.9	0.86	1.6	8.0	2.0	1550	85
YE5-355M2-6	200	990	364.27	380	97.0	0.86	1.6	8.0	2.0	1600	85
YE5-355L-6	250	990	455.34	380	97.0	0.86	1.6	8.0	2.0	1700	85
YE5-355M1-8	132	740	258.19	380	95.9	0.81	1.6	7.7	2.0	1520	89
YE5-355M2-8	160	740	308.50	380	96.1	0.82	1.6	7.7	2.0	1610	89
YE5-355L-8	200	740	384.82	380	96.3	0.82	1.6	7.8	2.0	1950	89

注: 若有特殊要求, 可按用户需求提供。 Please contact us with your requirement.