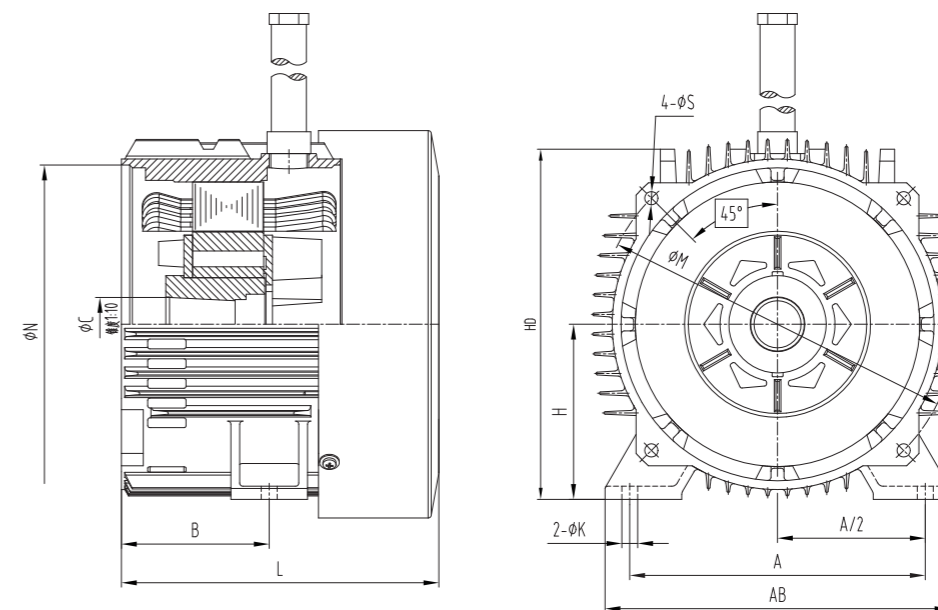


压缩机专用变频调速永磁同步一体机（水平式）

YP Series Compressor Special Frequency Conversion Speed Regulating Permanent Magnet Synchronous Motor (Horizontal Type)



高效率 High efficiency

采用特殊定子槽型和转子结构，使用低损耗硅钢片、高牌号永磁体材料，磁场利用率高；电机效率高于能效标准 GB30253-2013 的一级能效要求，远超 IE4 能效。

Special stator slot and rotor structure, low loss silicon steel sheet, high brand permanent magnet material, high utilization rate of magnetic field; The motor efficiency is higher than the first-level energy efficiency requirement of the energy efficiency standard gb30253-2013, and far higher than IE4.

低温升 Low temperature rise

电机结构为半封闭式结构，电机内部热量直接与外部通过空气流动交换，热交换率高。绕组温度低、磁钢温度低。

The motor structure is semi-enclosed. The heat inside the motor is directly exchanged with the outside through air flow, and the heat exchange rate is high. Winding temperature is low, magnetic steel temperature is low.

高性能 High performance

专业最优化性能设计，电机转动惯量小，运行频率宽，低速运行时转矩平滑无波动。

Professional optimization performance design, small motor inertia, wide operating frequency, low speed running torque smooth no fluctuation.

安装尺寸 Mounting Dimensions

型号 Type	A	B	C	H	K	M	N	S	AB	HD	L	机头型号
180M	270	135	49	160	14.5	326	291	12	315	320	290	鲍斯YHE114L锥轴
200L	300	170	58	180	18.5	370	330	14	350	370	365	鲍斯YHE143L锥轴
			55				335					鲍斯YHE163L锥轴
225M	256	155	73	200	18.5	418	378	14	420	420	420	鲍斯YHE178L锥轴
280M	406	190	73	250	24	500	456	14	480	515	505	鲍斯YHE204L锥轴

技术数据 Technical Data

电机型号 Type	级数 Pole	额定功率 Output (kW)	额定电压 Voltage (V)	频率 (Hz)	额定电流 Current (A)	接法 Start type	额定扭矩 (Nm)	额定转速 Rated Speed (r/min)	效率 Efficiency (%)	防护等级 IP	机头型号 Type
YP180M30-22	6	22	380	150	37	Y	70.0	3000			鲍斯YHE114L锥轴
YP200L30-37	8	37	380	200	68	Y	117.8	3000			鲍斯YHE143L锥轴
YP200L30-45	8	45	380	200	77.9	Y	143.3	3000			鲍斯YHE163L锥轴
YP200L30-55	8	55	380	200	94	Y	175.1	3000			鲍斯YHE163L锥轴
YP225M15-45	8	45	380	100	77.9	Y	286.5	1500			鲍斯YHE178L锥轴
YP225M30-75	8	75	380	200	128	Y	238.8	3000			鲍斯YHE178L锥轴
YP225M30-90	8	90	380	200	154	Y	286.5	3000			鲍斯YHE178L锥轴
YP280M30-110	8	110	380	200	188	Y	350.2	3000			鲍斯YHE204L锥轴
YP280M30-132	8	132	380	200	225	Y	420.2	3000			鲍斯YHE204L锥轴

注：若有特殊要求，可按用户需求提供。 Please contact us with your requirement.