

YTPM

压缩机专用变频调速永磁同步一体机

YTPM Series Compressor Special Frequency Conversion Speed Regulating Permanent Magnet Synchronous Motor



YTPM系列电动机是我公司针对同轴一体式螺杆压缩机自主研发的变频调速永磁同步一体机,该系列电机在具备永磁电机高效率、高功率因数的前提下,转子直接与机头连接,降低传动损耗,提升整体效率。

YTPM series motors are integrated permanent magnet synchronous machines of frequency conversion independently developed by our company for coaxial integrated screw compressor. Under the premise of high efficiency and high power factor of permanent magnet motors, the rotor is directly connected to the machine head to reduce transmission loss and improve overall efficiency.

高效率 High efficiency

采用特殊定子槽型和转子结构,使用低损耗硅钢片、高牌号永磁体材料,磁场利用率高;电机效率高于能效标准GB30253-2013的一级能效要求,远超IE4能效。

Special stator slot and rotor structure, low loss silicon steel sheet, high brand permanent magnet material, high utilization rate of magnetic field; The motor efficiency is higher than the first-level energy efficiency requirement of the energy efficiency standard gb30253-2013, and far higher than IE4.

低温升 Low temperature rise

电机结构为半封闭式结构,电机内部热量直接与外部通过空气流动交换,热交换率高。绕组温度低、磁钢温度低。

The motor structure is semi-enclosed. The heat inside the motor is directly exchanged with the outside through air flow, and the heat exchange rate is high. Winding temperature is low, magnetic steel temperature is low.

高性能 High performance

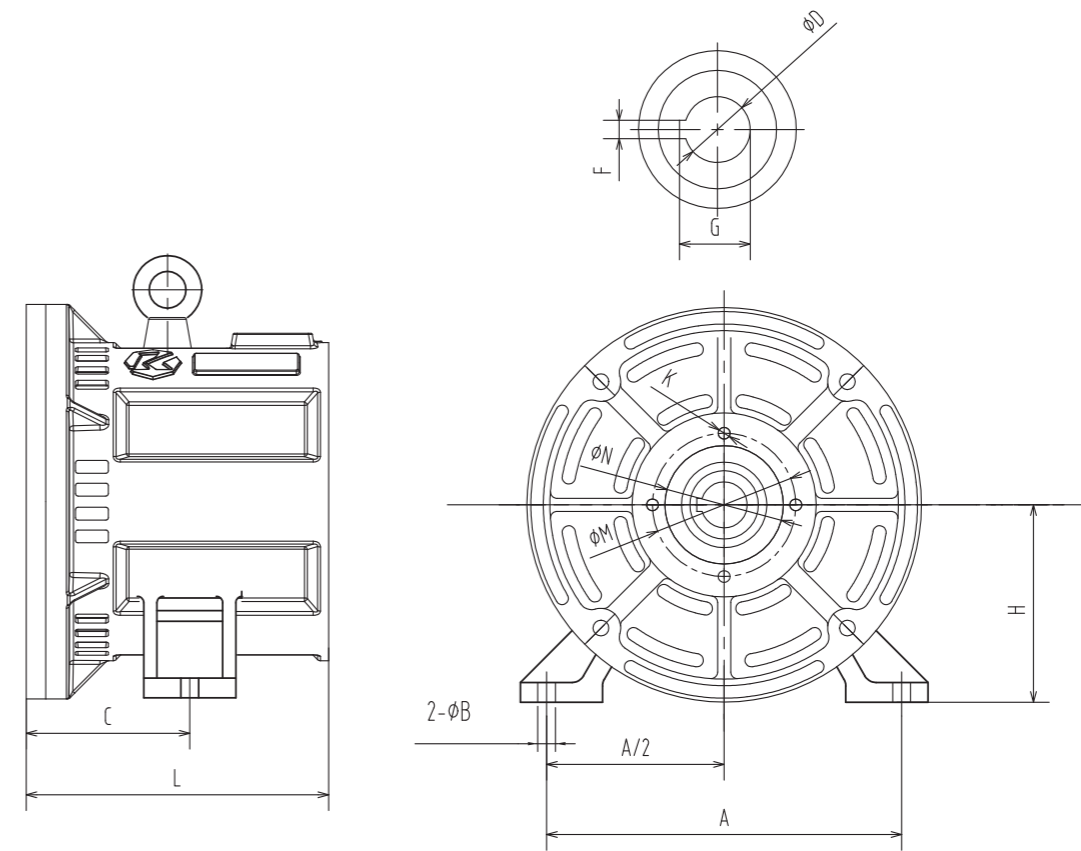
专业最优化性能设计,电机转动惯量小,运行频率宽,低速运行时转矩平滑无波动。

Professional optimization performance design, small motor inertia, wide operating frequency, low speed running torque smooth no fluctuation.

通用性 Generality

通过改变配装过度法兰与轴套可适配多款机头(鲍斯、汉钟等)。

By changing the excessive flange and shaft sleeve can be adapted to a variety of head (bose, han zhong, etc.).



安装尺寸 (8公斤) Mounting Dimensions

型号 Type	底脚安装尺寸			轴套安装尺寸			过渡法兰尺寸			中心高 H	总长 L	机头型号
	A	B	C	D	F	G	M	K	N			
YTPM112S36-7.5	190	12	101	28	8	31.3	107.5	92	4-φ9	110	187	汉钟AB077 汉钟AC077
YTPM112S36-7.5	190	12	101	28	8	31.3	110	95	4-φ9	110	187	鲍斯YNT55A
YTPM132S30-11	270	17	122.5	35	10	38.3	109	90	4-φ9	150	227	鲍斯YNT70A
YTPM132S30-15	270	17	122.5	35	10	38.3	109	90	4-φ9	150	227	鲍斯YNT70B
YTPM132S36-15	270	17	122.5	40	12	43.3	130	115	6-φ9	150	227	汉钟AB130 汉钟AC130
YTPM160M30-22	210	14.5	115	45	14	48.8	166	150	6-φ9	160	235	汉钟AB240 汉钟AC240
YTPM160M30-22	210	14.5	115	40	12	43.3	120	100	6-φ9	160	235	鲍斯YNE117RA YNE114RB
YTPM180M30-37	270	18.5	122	50	14	53.8	225	185	8-φ12	180	235	汉钟AB420 汉钟AC420
YTPM180M30-37	270	18.5	122	50	14	53.8	140	115	6-φ12	180	235	鲍斯YNE143RA
YTPM180M30-37	270	18.5	122	45	14	48.8	140	115	6-φ12	180	235	鲍斯YNE138RB

安装尺寸 (高压) Mounting Dimensions

型号 Type	底脚安装尺寸			轴套安装尺寸			过渡法兰尺寸			中心高 H	总长 L	机头型号
	A	B	C	D	F	G	M	K	N			
YTPM132S30-11	270	17	122.5	28	8	31.3	109	90	4-φ9	150	227	鲍斯YNT60A
YTPM132S30-15	270	17	122.5	35	10	38.3	109	90	4-φ9	150	227	鲍斯YNT70A
YTPM132S36-15	270	17	122.5	28	8	31.3	109	90	4-φ9	150	227	汉钟AB077 汉钟AC077
YTPM160M30-22	210	14.5	115	40	12	43.3	130	115	6-φ9	160	235	汉钟AB130 汉钟AC130
YTPM160M30-22	210	14.5	115	35	10	38.3	109	90	4-φ9	160	235	鲍斯YNE70A YNE70B
YTPM180M30-37	270	18.5	122	45	14	48.8	166	150	6-φ9	180	235	汉钟AB240 汉钟AC240
YTPM180M30-37	270	18.5	122	40	12	43.3	120	100	6-φ9	180	235	鲍斯YNE117RA YNE114RB

技术数据 (8公斤) Technical Data

型号 Type	级数 Pole	额定 功率 Output (kW)	额定 电压 Voltage (V)	频率 (Hz)	额定 电流 Current (A)	接法 Start type	额定 扭矩 (Nm)	额定转速 Rated Speed (r/min)	效率 Efficiency (%)	防护 等级 IP	冷却 方式 Cooling mode	可配机头
YTPM112S36-7.5		7.5	380	240	14.00	Y	19.89	3600	94.50%	IP23	IC01	汉钟AB077 汉钟AC077 鲍斯YNT55A
YTPM132S30-11		11	380	150	18.68	Y	35.2	3000	95.00%	IP23	IC01	鲍斯YNT70A
YTPM132S30-15		15	380	150	26.50	Y	47.79	3000	95.30%	IP23	IC01	鲍斯YNT70B
YTPM132S36-15		15	380	240	26.00	Y	39.8	3600	95.30%	IP23	IC01	汉钟AB130 汉钟AC130
YTPM160M30-22		22	380	150	37.00	Y	70	3000	95.90%	IP23	IC01	汉钟AB240 汉钟AC240 鲍斯YNE117RA YNE114RB
YTPM180M30-37		37	380	200	68.00	Y	117.8	3000	96.30%	IP23	IC01	汉钟AB420 汉钟AC420 鲍斯YNE143RA YNE138RB

技术数据 (高压) Technical Data

型号 Type	级数 Pole	额定 功率 Output (kW)	额定 电压 Voltage (V)	频率 (Hz)	额定 电流 Current (A)	接法 Start type	额定 扭矩 (Nm)	额定转速 Rated Speed (r/min)	效率 Efficiency (%)	防护 等级 IP	冷却 方式 Cooling mode	可配机头
YTPM132S30-11		11	380	150	18.68	Y	35.2	3600	95.00%	IP23	IC01	鲍斯YNT60A
YTPM132S30-15		15	380	150	26.50	Y	47.79	3000	95.30%	IP23	IC01	鲍斯YNT60A 鲍斯YNT70A
YTPM132S36-15		15	380	240	26.00	Y	39.8	3000	95.30%	IP23	IC01	汉钟AB077 汉钟AC077
YTPM160M30-22		22	380	150	37.00	Y	70	3600	95.90%	IP23	IC01	汉钟AB130 汉钟AC130 鲍斯YNE70A YNE70B
YTPM180M30-37		37	380	200	68.00	Y	117.8	3000	96.30%	IP23	IC01	汉钟AB240 汉钟AC240 鲍斯YNE117RA YNE114RB