

JPM

压缩机专用变频调速永磁同步电动机

JPM Series Compressor Special Frequency Conversion Speed Regulating Permanent Magnet Synchronous Motor



JPM系列电动机,是我司为响应国家节能减排号召,开发的一种是全封闭稀土永磁同步电动机,它具有高过载能力,高效率,高功率因数,运行平稳,维护简单,互换性强等一系列特点,集合了异步电机和一般同步电机的优点,冷却方式IC416/IC411、工作制S1、安装方式符合IEC和DIN标准,具有国际通用性是出口及替代进口的理想产品。

JPM series motor, it is our company to respond to a nation called on energy conservation and emissions reduction, development of one is a fully enclosed of rare earth permanent magnet synchronous motor, with high overload capacity, high efficiency, high power factor, stable operation, simple maintenance, strong interchangeability and a series of features, collection the advantages of the induction motor and synchronous motor cooling IC416 / IC411, duty S1, installation in compliance with IEC and DIN standards, with international generality is ideal and replace the imported products for export.

高效率 High efficiency

永磁同步电机在各个负载区间效率比异步电机高很多,其高效运行范围宽,在25%~120%范围内效率大于90%,永磁电机效率高于能效标准GB30253-2013的一级能效要求,远超IE4能效。

The efficiency of permanent magnet synchronous motor is much higher than that of asynchronous motor in each load interval. Its efficient operation range is wide, and the efficiency is more than 90% in the range of 25%~120%. The efficiency of permanent magnet motor is higher than the first-level energy efficiency requirement of energy efficiency standard gb30253-2013, far higher than IE4.

高性能 High performance

该系列电机为压缩机专用的节能电机,电机能随气量改变转速,在加载卸载等工况下仍保持高的效率。

The series of motor for screw air compressor special energy-saving motor, motor can change speed with gas, load and unloading conditions still maintain high efficiency.

低温升 Low temperature rise

电机实际余量足,保证电机在满负荷状态下低温升可靠运行;电机采用同轴风扇或独立风机冷却。

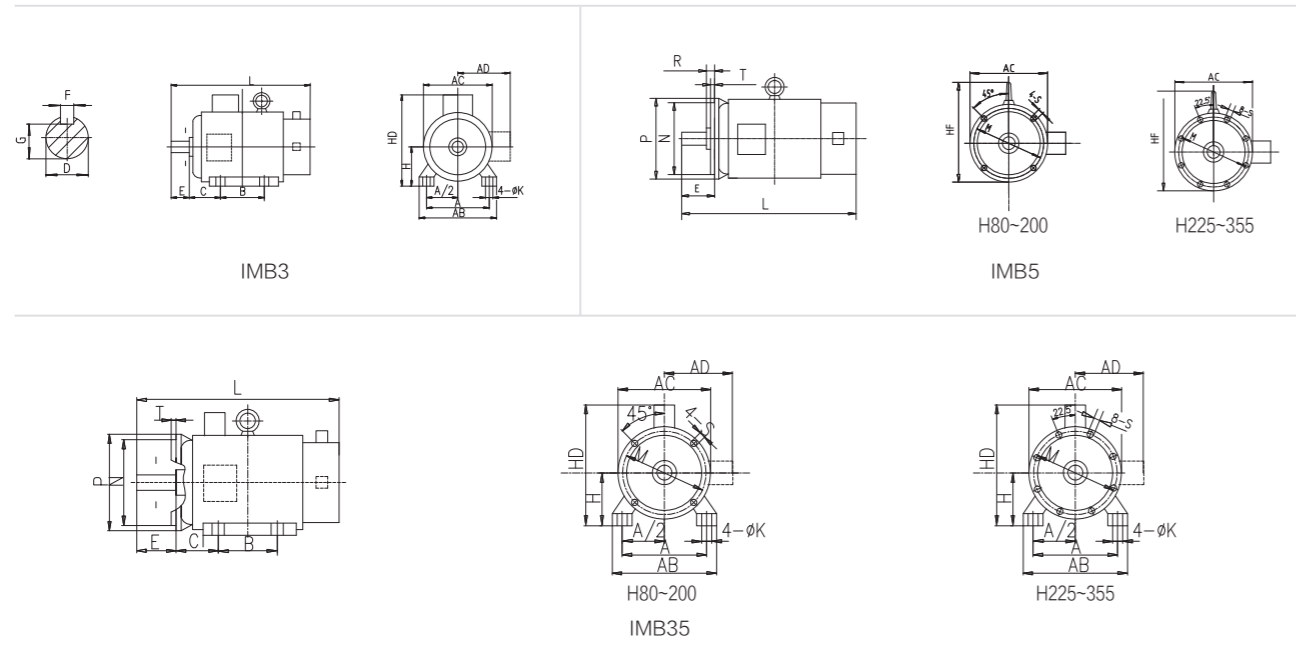
The actual margin of the motor is sufficient to ensure the reliable operation of the motor at full load with low temperature rise; The motor is cooled by coaxial fan or independent fan.

通用性 Generality

电机采用标准异步全封闭结构,可满足多种恶劣工况下稳定运行。系列电动机具有超广的适用范围,具备与压缩机完美的匹配性,助推空压机整机效率远超国标1级能效。具备与电梯、风机、水泵、皮带机、机床、纺织机械、电动汽车等器械的高度匹配性,能广泛用于石油、化工、电力、交通、纺织、工矿等行业。

The motor adopts the standard asynchronous completely closed structure, which can meet the stable operation under various bad working conditions. Series motors have a wide range of application, with the perfect matching with the compressor, boost air compressor overall efficiency far more than the national standard level 1 energy efficiency. With elevator, fan, water pump, belt machine, machine tools, textile machinery, electric vehicles and other instruments of high compatibility, can be widely used in petroleum, chemical, electric power, transportation, textile, industrial and mining industries.

JPM永磁电机（带独立风机系列）安装及外形尺寸图 JPM Series Motor Mounting and Overall Dimensions



机座号 Frame Size	转速 rpm	安装尺寸Mounting Dimensions(mm)														外形尺寸Overall Dimensions(mm)						
		A	B	C	D	E	F	G	H	K	M	N	P	R	S	T	AB	AC	AD	HD	HF	L
132S	750 / 1000 / 1500 / 3000	216	140	89	38(42)	80	10	33	132	12	265	230	300	0	14.5	4	270	310	230	365	335	515
132M		216	178	89	38(42)	80	10	33	132	12	265	230	300	0	14.5	4	270	310	230	365	335	550
160M		254	210	108	42(48)	110	12	37	160	14.5	300	250	350	0	18.5	5	320	340	260	425	390	670
160L		254	254	108	42(48)	110	12	37	160	14.5	300	250	350	0	18.5	5	320	340	260	425	390	700
180M		279	241	121	48(55)	110	14	42.5	180	14.5	300	250	350	0	18.5	5	355	390	285	460	435	730
180L		279	279	121	48(55)	110	14	42.5	180	14.5	300	250	350	0	18.5	5	355	390	285	460	435	780
200L		318	305	133	55(60)	110	16	49	200	18.5	350	300	400	0	18.5	5	395	445	320	520	495	790
225S		356	286	149	60	140	18	53	225	18.5	400	350	450	0	18.5	5	435	495	350	575	550	830
225M		356	311	149	60	140	18	53	225	18.5	400	350	450	0	18.5	5	435	495	350	575	550	855
250M		406	349	168	65	140	18	53	250	24	500	450	550	0	18.5	5	490	550	390	635	615	920
280S	3000 750/1000/1500	457	368	190	65	140	18	58	280	24	500	450	550	0	18.5	5	550	630	435	705	675	980 1080
280M	750/1000 /1500/3000	457	419	190	75	140	18	58	280	24	500	450	550	0	18.5	5	550	630	435	705	675	1130
315S	3000 750/1000/1500	508	406	216	65	140	18	58	315	28	600	550	660	0	24	6	635	645	530	845	-	1190 1220
315M	3000 750/1000/1500	508	457	216	80	170	22	71	315	28	600	550	660	0	24	6	635	645	530	845	-	1330 1360
355M	3000 750/1000/1500	610	560	254	75(80) 95(110)	140	20	67.5	355	28	740	680	800	0	24	6	730	710	665	1010	-	1510 1550
400	1500/3000	686	630/710	280	110	210	28	100	400	35	940	880	1000	0	28	6	806	856	700	1100	-	1925

注: 若有特殊要求, 可按用户需求提供。 Please contact us with your requirement.

技术数据 Technical Data

型号 Type	级数 Pole	额定 功率 Output (kW)	额定 电压 Voltage (V)	频率 (Hz)	额定 电流 Current (A)	接法 Start type	额定 扭矩 (Nm)	额定转速 Rated Speed (r/min)	效率 Efficiency (%)	防护 等级 IP	冷却方式 Cooling mode
3000r/min永磁变频调速电机目录效率标准按照永磁1级能效 3000r/min permanent magnet frequency conversion speed control motor list motor efficiency comply with level 1 of standard efficiency of JPM motor											
JPM132S30-5.5	6	5.5	380	150	9.50	Y	17.5	3000	94.50%	IP55	IC411自冷风扇
JPM132S30-7.5	6	7.5	380	150	12.92	Y	23.88	3000	94.50%	IP55	IC411自冷风扇
JPM132S30-11	6	11	380	150	18.68	Y	35	3000	95.00%	IP55	IC411自冷风扇
JPM132M30-15	6	15	380	150	25.14	Y	47.8	3000	95.30%	IP55	IC411自冷风扇
JPM132M30-22	6	22	380	150	36.9	Y	70	3000	95.90%	IP55	IC411自冷风扇
JPM160M30-11	6	11	380	150	18.68	Y	35	3000	95.00%	IP55	IC411自冷风扇
JPM160M30-15	6	15	380	150	25.14	Y	47.8	3000	95.30%	IP55	IC411自冷风扇
JPM160M30-18.5	6	18.5	380	150	31	Y	58.9	3000	95.60%	IP55	IC411自冷风扇
JPM160M30-22	6	22	380	150	37	Y	70	3000	95.90%	IP55	IC411自冷风扇
JPM160L30-30	6	30	380	150	50.1	Y	95.55	3000	96.10%	IP55	IC411自冷风扇
JPM160L30-37	6	37	380	150	64.00	Y	118	3000	96.30%	IP55	IC411自冷风扇
JPM180M30-37	8	37	380	200	64	Y	118	3000	96.30%	IP55	IC411自冷风扇
JPM180L30-45	8	45	380	200	77.9	Y	143.3	3000	96.40%	IP55	IC411自冷风扇
JPM180L30-55	8	55	380	200	94	Y	175.2	3000	96.50%	IP55	IC411自冷风扇
JPM180L30-75	8	75	380	200	128	Y	238	3000	96.60%	IP55	IC411自冷风扇
JPM200L30-55	8	55	380	200	94	Y	175.2	3000	96.50%	IP55	IC411自冷风扇
JPM200L30-75	8	75	380	200	128	Y	238	3000	96.60%	IP55	IC411自冷风扇
JPM200L30-90	8	90	380	200	154	Y	286.5	3000	96.70%	IP55	IC411自冷风扇
JPM225S30-55	8	55	380	200	94	Y	175.2	3000	96.50%	IP55	IC411自冷风扇
JPM225S30-75	8	75	380	200	128	Y	238	3000	96.60%	IP55	IC411自冷风扇
JPM225M30-90	8	90	380	200	154	Y	286.5	3000	96.70%	IP55	IC411自冷风扇
JPM250M30-75	8	75	380	200	126	Y	238.8	3000	96.00%	IP55	IC411自冷风扇
JPM250M30-90	8	90	380	200	154	Y	286.5	3000	96.70%	IP55	IC411自冷风扇
JPM250M30-132	8	132	380	200	225	Y	420	3000	96.70%	IP55	IC411自冷风扇
JPM280S30-90	8	90	380	200	149.6	Y	286.5	3000	96.70%	IP55	IC411自冷风扇
JPM280S30-110	8	110	380	200	187.5	Y	350	3000	96.80%	IP55	IC411自冷风扇
JPM280S30-132	8	132	380	200	225	Y	420	3000	96.90%	IP55	IC411自冷风扇
JPM280M30-160	8	160	380	200	260	Y	509	3000	97.00%	IP55	IC411自冷风扇
JPM315S30-185	8	185	380	200	319	Y	588	3000	97.10%	IP55	IC411自冷风扇
JPM315S30-200	8	200	380	200	350	Y	636	3000	97.20%	IP55	IC411自冷风扇
JPM315M30-220	8	220	380	200	420	Y	700	3000	97.30%	IP55	IC411自冷风扇
JPM315M30-250	8	250	380	200	437.5	Y	795	3000	97.40%	IP55	IC411自冷风扇
JPM315L30-280	8	280	380	200	490	Y	891	3000	97.50%	IP55	IC411自冷风扇
JPM355M30-315	8	315	380	200	551	Y	1002	3000	97.60%	IP55	IC411自冷风扇
JPM355M30-355	8	355	380	200	621	Y	1130	3000	97.70%	IP55	IC411自冷风扇
JPM355M30-375	8	375	380	200	656	Y	1193	3000	97.80%	IP55	IC411自冷风扇
JPM355M30-400	8	400	380	200	680	Y	1273	3000	97.80%	IP55	IC411自冷风扇
JPM400M30-500	8	500	380	200	850	Y	1592	3000	97.80%	IP55	IC411自冷风扇

技术数据 Technical Data

型号 Type	级数 Pole	额定 功率 Output (kW)	额定 电压 Voltage (V)	频率 (Hz)	额定 电流 Current (A)	接法 Start type	额定 扭矩 (Nm)	额定转速 Rated Speed (r/min)	效率 Efficiency (%)	防护 等级 IP	冷却方式 Cooling mode
1500r/min永磁变频调速电机目录效率标准按照永磁1级能效 1500r/min permanent magnet frequency conversion speed control motor list motor efficiency comply with level 1 of standard efficiency of JPM motor											
JPM132S15-5.5	6	5.5	380	75	9.50	Y	34.98	1500	92.10%	IP55	IC411自冷风扇
JPM132S15-7.5	6	7.5	380	75	13	Y	47.8	1500	92.60%	IP55	IC411自冷风扇
JPM132S15-11	6	11	380	75	18.7	Y	70	1500	93.60%	IP55	IC411自冷风扇
JPM132M15-15	6	15	380	75	25.2	Y	95.5	1500	94.00%	IP55	IC411自冷风扇
JPM160M15-18.5	6	18.5	380	75	31	Y	117.8	1500	94.30%	IP55	IC411自冷风扇
JPM160M15-22	6	22	380	75	37	Y	140.1	1500	94.70%	IP55	IC411自冷风扇
JPM180M15-22	8	22	380	100	37.00	Y	140.1	1500	94.70%	IP55	IC411自冷风扇
JPM180L15-30	8	30	380	100	50.1	Y	191.1	1500	95.00%	IP55	IC411自冷风扇
JPM180L15-37	8	37	380	100	64	Y	235.7	1500	95.30%	IP55	IC411自冷风扇
JPM200L15-30	8	37	380	100	50.1	Y	191.1	1500	95.00%	IP55	IC411自冷风扇
JPM225S15-37	8	37	380	100	64	Y	235.7	1500	95.30%	IP55	IC411自冷风扇
JPM225S15-45	8	45	380	100	77.9	Y	286.5	1500	95.60%	IP55	IC411自冷风扇
JPM225S15-55	8	55	380	100	94	Y	350	1500	95.80%	IP55	IC411自冷风扇
JPM225M15-75	8	75	380	100	128	Y	478	1500	96.00%	IP55	IC411自冷风扇
JPM250M15-55	8	55	380	100	91.8	Y	350	1500	95.80%	IP55	IC411自冷风扇
JPM250M15-75	8	75	380	100	128	Y	478	1500	96.00%	IP55	IC411自冷风扇
JPM280S15-55	8	55	380	100	90.3	Y	350	1500	95.80%	IP55	IC411自冷风扇
JPM280S15-75	8	75	380	100	126	Y	478	1500	96.00%	IP55	IC411自冷风扇
JPM280S15-90	8	90	380	100	154	Y	573	1500	96.20%	IP55	IC411自冷风扇
JPM280S15-110	8	110	380	100	178	Y	700	1500	96.40%	IP55	IC411自冷风扇
JPM280M15-132	8	132	380	100	222	Y	840	1500	96.60%	IP55	IC411自冷风扇
JPM315S15-132	8	132	380	100	222	Y	840	1500	96.20%	IP55	IC411自冷风扇
JPM315S15-160	8	160	380	100	271	Y	1020	1500	96.80%	IP55	IC411自冷风扇
JPM315M15-185	8	185	380	100	319	Y	1177	1500	97.10%	IP55	IC411自冷风扇
JPM315M15-200	8	200	380	100	350	Y	1273.8	1500	97.20%	IP55	IC411自冷风扇
JPM315M15-220	8	220	380	100	420	Y	1400.7	1500	97.40%	IP55	IC411自冷风扇
JPM315M15-250	8	250	380	100	437.5	Y	1592	1500	97.70%	IP55	IC411自冷风扇
JPM355M15-280	8	280	380	100	490	Y	1782	1500	97.70%	IP55	IC411自冷风扇
JPM355M15-315	8	315	380	100	552	Y	2005	1500	97.70%	IP55	IC411自冷风扇
JPM355M15-355	8	355	380	100	623	Y	2260	1500	97.70%	IP55	IC411自冷风扇
JPM355M15-375	8	375	380	100	658	Y	2387	1500	97.70%	IP55	IC411自冷风扇

技术数据 Technical Data

型号 Type	级数 Pole	额定 功率 Output (kW)	额定 电压 Voltage (V)	频率 (Hz)	额定 电流 Current (A)	接法 Start type	额定 扭矩 (Nm)	额定转速 Rated Speed (r/min)	效率 Efficiency (%)	防护 等级 IP	冷却方式 Cooling mode
1000r/min永磁变频调速电机目录效率标准按照永磁1级能效 1000r/min permanent magnet frequency conversion speed control motor list motor efficiency comply with level 1 of standard efficiency of JPM motor											
JPM132S10-3	6	3	380	50	5.21	Y	28.7	1000	91.80%	IP55	IC411自冷风扇
JPM132M10-4	6	4	380	50	6.95	Y	38.2	1000	92.7%	IP55	IC411自冷风扇
JPM132M10-5.5	6	5.5	380	50	9.55	Y	52.5	1000	93.4%	IP55	IC411自冷风扇
JPM160M10-7.5	6	7.5	380	50	13.02	Y	71.6	1000	94%	IP55	IC411自冷风扇
JPM160L10-11	6	11	380	50	19.10	Y	105.1	1000	94.5%	IP55	IC411自冷风扇
JPM180L10-15	8	15	380	66.7	26.05	Y	143.3	1000	94.9%	IP55	IC411自冷风扇
JPM200L10-18.5	8	18.5	380	66.7	32.13	Y	176.7	1000	95.30%	IP55	IC411自冷风扇
JPM200L10-22	8	22	380	66.7	38.20	Y	210.1	1000	95.60%	IP55	IC411自冷风扇
JPM225M10-30	8	30	380	66.7	52.10	Y	286.5	1000	95.80%	IP55	IC411自冷风扇
JPM250M10-37	8	37	380	66.7	64.25	Y	353.4	1000	96.00%	IP55	IC411自冷风扇
JPM250M10-45	8	45	380	66.7	78.14	Y	429.8	1000	96.20%	IP55	IC411自冷风扇
JPM280S10-45	8	45	380	66.7	78.14	Y	429.8	1000	96.20%	IP55	IC411自冷风扇
JPM280M10-55	8	55	380	66.7	95.51	Y	525.3	1000	96.30%	IP55	IC411自冷风扇
JPM315S10-75	8	75	380	66.7	130.24	Y	716.3	1000	96.40%	IP55	IC411自冷风扇
JPM315M10-90	8	90	380	66.7	156.29	Y	859.5	1000	96.50%	IP55	IC411自冷风扇
JPM315L10-110	8	110	380	66.7	191.02	Y	1050.5	1000	96.50%	IP55	IC411自冷风扇
JPM315L10-132	8	132	380	66.7	229.22	Y	1260.6	1000	96.50%	IP55	IC411自冷风扇
750r/min永磁变频调速电机目录效率标准按照永磁1级能效 750r/min permanent magnet frequency conversion speed control motor list motor efficiency comply with level 1 of standard efficiency of JPM motor											
JPM132S7.5-2.2	6	2.2	380	37.5	3.82	Y	28.0	750	84.50%	IP55	IC411自冷风扇
JPM132M7.5-3	6	3	380	37.5	5.21	Y	38.2	750	85.90%	IP55	IC411自冷风扇
JPM160M7.5-4	6	4	380	37.5	6.95	Y	50.9	750	87.10%	IP55	IC411自冷风扇
JPM160M7.5-5.5	6	5.5	380	37.5	9.55	Y	70.0	750	88.30%	IP55	IC411自冷风扇
JPM160L7.5-7.5	6	7.5	380	37.5	13.02	Y	95.5	750	89.30%	IP55	IC411自冷风扇
JPM180L7.5-11	8	11	380	50	19.10	Y	140.1	750	90.40%	IP55	IC411自冷风扇
JPM200L7.5-15	8	15	380	50	26.05	Y	191.0	750	91.20%	IP55	IC411自冷风扇
JPM225S7.5-18.5	8	18.5	380	50	32.13	Y	235.6	750	91.70%	IP55	IC411自冷风扇
JPM225M7.5-22	8	22	380	50	38.20	Y	280.1	750	92.10%	IP55	IC411自冷风扇
JPM250M7.5-30	8	30	380	50	52.10	Y	382.0	750	92.70%	IP55	IC411自冷风扇
JPM280S7.5-37	8	37	380	50	64.25	Y	471.1	750	93.10%	IP55	IC411自冷风扇
JPM280M7.5-45	8	45	380	50	78.14	Y	573.0	750	93.40%	IP55	IC411自冷风扇
JPM315S7.5-55	8	55	380	50	95.51	Y	700.3	750	93.70%	IP55	IC411自冷风扇
JPM315M7.5-75	8	75	380	50	130.24	Y	955.0	750	94.20%	IP55	IC411自冷风扇
JPM315L7.5-90	8	90	380	50	156.29	Y	1146.0	750	94.40%	IP55	IC411自冷风扇
JPM315L7.5-110	8	110	380	50	191.02	Y	1400.7	750	94.70%	IP55	IC411自冷风扇

注: 若有特殊要求, 可按用户需求提供。 Please contact us with your requirement.