

YBT

隔爆型三相异步电动机

YBT Series Flameproof Three-phase Asynchronous Motor



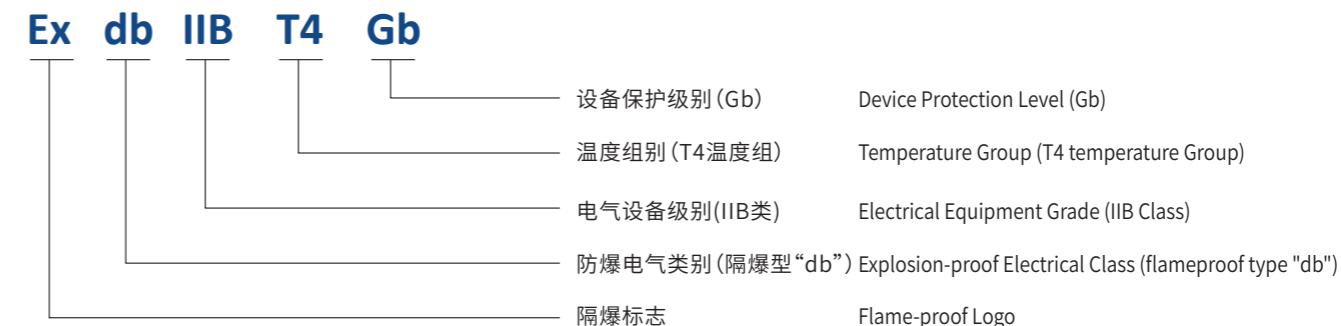
该系列电动机是我公司为爆炸性气体环境专门设计的一款隔爆型电动机，其效率指标满足GB18613《中小型三相异步电动机能效限定值及能效等级》中的3级能效限定值，具有高效、节能、寿命长等优点。电机性能好，振动小。本系列电动机的隔爆性能符合GB3836.1-2021《爆炸性气体环境通用电气设备第1部分：通用要求》，GB3836.2-2021《爆炸性气体环境通用电气设备第1部分：隔爆型“d”》标准的规定，类别有ExdbIIBT4Gb、ExdbIIBT4Gb。

This series of motors is a flameproof type motor specially designed by our company for explosive gas environment. Its efficiency index meets the level 3 energy efficiency limit value in GB18613 "Energy Efficiency Limit value and Energy Efficiency Grade of Small and Medium-sized Three-Phase Asynchronous Motors", which has the advantages of high efficiency, energy saving and long life, etc. Good motor performance, low vibration. The flameproof performance of this series motor conforms to the provisions of GB3836.1-2021 in General Electric Equipment for Environments with Explosive Gases--part 1: General Requirements, GB3836.2-2021 in General Electric Equipment for Environments with Explosive Gases--part 1: Flameproof type "d", and the categories include ExdbIIBT4Gb and ExdbIIBT4Gb.

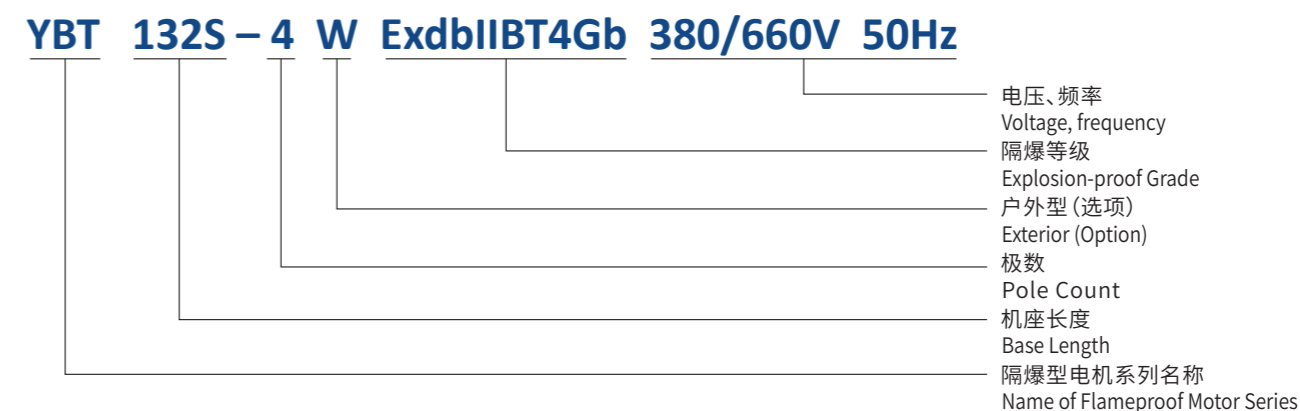
隔爆型ExdbIIBT4Gb 适用于工厂用IIA类，温度级别T1,T2,T3,T4组别爆炸性气体混合物存在的环境，代表气体：乙醛、三甲胺
It is suitable for the environment in which explosive gas mixtures of IIA, T1,T2,T3 and T4 are used in factories. The representative gases are acetaldehyde and trimethylamine.

隔爆型ExdbIIBT4Gb 适用于工厂用IIB类，温度级别T1,T2,T3,T4组别爆炸性气体混合物存在的环境，代表气体：乙基甲基醚、二乙醚
It is suitable for the environment where explosive gas mixture exists in IIB class, temperature grades T1,T2,T3 and T4, and the representative gases are ethyl methyl ether and diethyl ether.

隔爆等级说明 Description of Flameproof Level



产品型号示例 Sample Product Model

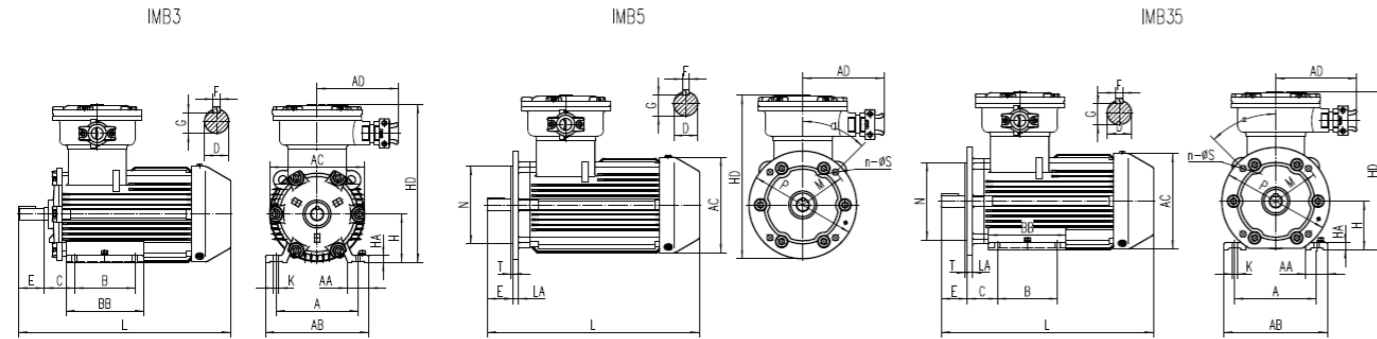


主要技术条件和使用条件 Main Technical Conditions and Service Conditions

额定电压 Rated Voltage	380V、380/660V、660V	额定频率 Rated Frequency	50Hz
防护等级 Protection Grade	IP55	绝缘等级 Insulation Class	F
冷却方式 Cooling Way	IC411	工作制 Work System	S1
安装型式 Installation Type	主要安装方式IMB3、IMB5、IMB35	海拔 Elevation	≤1000m
环境温度 Environment Temperature	-20~+40°C		

基本结构型式 Type of construction	机座带底脚、端盖上无凸缘 Frame with feet、Endshield without flange					
	B3	B6	B7	B8	V5	V6
安装结构型式 Mounting arrangement						
示意图 Diagram						
基本结构型式 Type of construction	机座无底脚、端盖上有凸缘 Frame without feet、Endshield with flange and hole			机座带底脚、端盖上有凸缘 Frame with feet、Endshield with flange		
	B5	V1	V3	B35	V15	V36
安装结构型式 Mounting arrangement						
示意图 Diagram						

YBT系列隔爆型三相异步电动机安装及外形尺寸图 YBT Series Motor Mounting and Overall Dimensions



机座号 Frame Size	安装尺寸 Mounting Dimensions(mm)														外形尺寸 Overall Dimensions(mm)														
	A	B	C	D	E	F	G	H	K	M	N	P	T	n-φS	α	AA	AB	AC	AD	BB	HA	HD	LA	L					
80	125	100	50	19	40	6	15.5	80	10	165	130	200	3.5	4-φ12	45	34	160	167	190	130	10	295	12	320					
90S	140	100	56	24	50	8	20	90	10	165	130	200	3.5	4-φ12	45	36	180	180	190	135	14	315	12	370					
90L	140	125	56	24	50	8	20	90	10	165	130	200	3.5	4-φ12	45	36	180	180	190	155	14	315	12	395					
100L	160	140	63	28	60	8	24	100	12	215	180	250	4	4-φ14.5	45	43	200	207	190	176	14	340	13	445					
112M	190	140	70	28	60	8	24	112	12	215	180	250	4	4-φ14.5	45	50	240	221	205	180	16	370	13	495					
132S	216	140	89	38	80	10	33	132	12	265	230	300	4	4-φ14.5	45	60	276	260	205	190	18	415	13	510					
132M	216	178	89	38	80	10	33	132	12	265	230	300	4	4-φ14.5	45	60	276	260	205	230	18	415	15	550					
160M	254	210	108	42	110	12	37	160	14.5	300	250	350	5	4-φ18.5	45	70	324	315	210	258	20	490	16	680					
160L	254	254	108	42	110	12	37	160	14.5	300	250	350	5	4-φ18.5	45	70	324	315	210	302	20	490	16	710					
180M	279	241	121	48	110	14	42.5	180	14.5	300	250	350	5	4-φ18.5	45	70	349	356	210	311	20	530	18	765					
180L	279	279	121	48	110	14	42.5	180	14.5	300	250	350	5	4-φ18.5	45	70	349	356	210	349	20	530	18	785					
200L	318	305	133	55	110	16	49	200	18.5	350	300	400	5	4-φ18.5	45	70	388	400	235	366	25	585	20	835					
225S	356	286	149	-	60	-	140	-	18	-	53	225	18.5	400	350	450	5	8-φ18.5	22.5	75	431	446	235	355	28	630	20	-	875
225M	356	311	149	55	60	110	140	16	18	49	53	225	18.5	400	350	450	5	8-φ18.5	22.5	75	431	446	235	380	28	630	20	875	905
250M	406	349	168	60	65	140	18	18	53	58	250	24	500	450	550	5	8-φ18.5	22.5	80	486	495	280	420	30	715	22	955		
280S	457	368	190	65	75	140	18	20	58	67.5	280	24	500	450	550	5	8-φ18.5	22.5	85	542	548	280	438	35	780	25	995	1005	
280M	457	419	190	65	75	140	18	20	58	67.5	280	24	500	450	550	5	8-φ18.5	22.5	85	542	548	280	489	35	780	25	1050	1060	
315S	508	406	216	65	80	140	170	18	22	58	71	315	28	600	550	660	6	8-φ24	22.5	120	628	620	325	550	45	915	22	1185	1265
315M	508	457	216	65	80	140	170	18	22	58	71	315	28	600	550	660	6	8-φ24	22.5	120	628	620	325	680	45	915	22	1305	1395
315L	508	508	216	65	80	140	170	18	22	58	71	315	28	600	550	660	6	8-φ24	22.5	120	628	620	325	680	45	915	22	1305	1395
355S	610	500	254	75	95	140	170	20	25	67.5	86	355	28	740	680	800	6	8-φ24	22.5	116	726	700	325	636	52	1045	25	1455	1485
355M	610	560	254	75	95	140	170	20	25	67.5	86	355	28	740	680	800	6	8-φ24	22.5	116	726	700	325	696	52	1045	25	1535	1565
355L	610	630	254	75	95	140	170	20	25	67.5	86	355	28	740	680	800	6	8-φ24	22.5	116	726	700	325	766	52	1045	25	1645	1675

注: 若有特殊要求, 可按用户需求提供。 Please contact us with your requirement.

技术数据 Technical Data

型号 Type	功率 Output (kW)	电压 Voltage (V)	额定电流 Current (A)	效率 Efficiency (%)	功率因数 COSΦ	额定转速 Rated Speed (r/min)	堵转转矩 额定转矩 Tst/Tn	堵转电流 额定电流 Ist/In	最大转矩 额定转矩 Tm/Tn	重量 Weight (kg)
YBT80M1-2	0.75	380	1.70	80.7	0.83	2850	2.2	6.2	2.5	24
YBT80M2-2	1.1	380	2.43	82.7	0.83	2840	2.3	6.6	2.6	26
YBT80M1-4	0.55	380	1.38	80.8	0.75	1430	2.3	6.0	2.5	25
YBT80M2-4	0.75	380	1.84	82.5	0.75	1430	2.3	6.2	2.4	26
YBT90S-2	1.5	380	3.22	84.2	0.84	2900	2.3	7.2	2.7	32
YBT90L-2	2.2	380	4.58	85.9	0.85	2900	2.3	7.0	2.6	35
YBT90S-4	1.1	380	3.97	84.1	0.5	1435	2.6	6.5	2.3	30
YBT90L-4	1.5	380	3.56	85.3	0.75	1435	2.7	6.6	2.3	35
YBT90S-6	0.75	380	2.01	78.9	0.72	920	2.2	5.6	2.4	30
YBT90L-6	1.1	380	2.83	81.0	0.73	920	2.1	5.4	2.2	35
YBT100L-2	3	380	6.02	87.1	0.87	2880	2.4	7.3	2.8	38
YBT100L1-4	2.2	380	4.76	86.7	0.81	1445	2.2	6.4	2.6	36
YBT100L2-4	3	380	6.34	87.7	0.82	1445	2.1	6.0	2.3	39
YBT100L-6	1.5	380	3.73	82.5	0.74	945	2.2	5.3	2.3	41
YBT112M-2	4	380	7.84	88.1	0.88	2900	2.4	7.2	2.8	57.5
YBT112M-4	4	380	8.37	88.6	0.82	1450	2.4	7.5	2.5	63
YBT112M-6	2.2	380	5.36	84.3	0.74	960	2.2	6.2	2.3	59
YBT132S1-2	5.5	380	10.6	89.2	0.88	2900	2.2	7.2	2.3	80
YBT132S2-2	7.5	380	14.2	90.1	0.89	2900	2.2	7.2	2.3	83
YBT132S-4	5.5	380	11.4	89.6	0.82	1450	2.5	7.3	2.8	81
YBT132M-4	7.5	380	15.2	90.4	0.83	1450	2.5	7.3	2.7	92
YBT132S-6	3	380	7.20	85.6	0.74	965	2.4	6.4	2.7	76
YBT132M1-6	4	380	9.46	86.8	0.74	965	2.4	6.4	2.7	86
YBT132M2-6	5.5	380	12.7	88.0	0.75	965	2.4	6.4	2.7	97
YBT132S-8	2.2	380	5.75	81.9	0.71	710	1.9	7.0	2.0	75
YBT132M-8	3	380	7.48	83.5	0.73	710	1.9	7.0	2.0	88
YBT160M1-2	11	380	20.6	91.2	0.89	2940	2.3	7.4	2.6	125
YBT160M2-2	15	380	27.9	91.9	0.89	2940	2.3	7.4	2.6	135
YBT160L-2	18.5	380	34.2	92.4	0.89	2940	2.3	7.4	2.6	155
YBT160M-4	11	380	21.5	91.4	0.85	1460	2.3	6.8	2.7	130
YBT160L-4	15	380	28.8	92.1	0.86	1460	2.3	6.8	2.7	148
YBT160M-6	7.5	380	16.4	89.1	0.78	970	2.6	6.3	2.5	128
YBT160L-6	11	380	23.4	90.3	0.79	970	2.6	6.3	2.5	145
YBT160M1-8	4	380	9.82	84.8	0.73	720	2.1	6.0	2.0	110
YBT160M2-8	5.5	380	13.1	86.2	0.74	720	2.1	6.0	2.0	122
YBT160L-8	7.5	380	17.4	87.3	0.75	720	2.1	6.0	2.0	145
YBT180M-2	22	380	40.5	92.7	0.89	2945	2.1	6.7	2.6	195
YBT180M-4	18.5	380	35.3	92.6	0.86	1470	2.2	7.4	2.4	190
YBT180L-4	22	380	41.8	93.0	0.86	1470	2.2	7.4	2.4	200
YBT180L-6	15	380	30.9	91.2	0.81	975	2.2	6.0	2.4	195
YBT180L-8	11	380	25.2	88.6	0.75	730	2.0	6.6	2.0	195
YBT200L1-2	30	380	54.9	93.3	0.89	2955	2.1	6.5	2.6	250
YBT200L2-2	37	380	67.4	93.7	0.89	2955	2.1	6.5	2.6	255

技术数据 Technical Data

型号 Type	功率 Output (kW)	电压 Voltage (V)	额定电流 Current (A)	效率 Efficiency (%)	功率因数 COSΦ	额定转速 Rated Speed (r/min)	堵转转矩 额定转矩 Tst/Tn	堵转电流 额定电流 Ist/In	最大转矩 额定转矩 Tm/Tn	重量 Weight (kg)
YBT200L-4	30	380	56.6	93.6	0.86	1470	2.4	7.1	2.7	250
YBT200L1-6	18.5	380	37.8	91.7	0.81	975	2.1	7.0	2.1	245
YBT200L2-6	22	380	44.2	92.2	0.82	975	2.1	7.0	2.1	260
YBT200L-8	15	380	33.5	89.6	0.76	730	2.0	6.0	2.0	255
YBT225M-2	45	380	81.7	94.0	0.89	2960	2.4	7.5	2.5	350
YBT225S-4	37	380	69.6	93.9	0.86	1480	2.2	7.2	2.3	355
YBT225M-4	45	380	84.4	94.2	0.86	1480	2.2	7.3	2.3	395
YBT225M-6	30	380	59.1	92.9	0.83	980	2.0	6.9	2.2	360
YBT225S-8	18.5	380	41.0	90.1	0.76	730	2.0	6.0	2.0	350
YBT225M-8	22	380	47.3	90.6	0.78	730	2.0	6.0	2.0	370
YBT250M-2	55	380	99.6	94.3	0.89	2965	2.4	7.5	2.4	445
YBT250M-4	55	380	103	94.6	0.86	1480	2.2	7.4	2.3	465
YBT250M-6	37	380	71.7	93.3	0.84	985	2.0	6.9	2.2	440
YBT250M-8	30	380	63.2	91.3	0.79	735	1.9	6.6	2.1	450
YBT280S-2	75	380	135	94.7	0.89	2970	2.2	7.1	2.2	550
YBT280M-2	90	380	162	95.0	0.89	2970	2.2	7.1	2.2	610
YBT280S-4	75	380	136	95.0	0.88	1480	2.2	7.2	2.3	600
YBT280M-4	90	380	163	95.2	0.88	1480	2.2	7.2	2.3	670
YBT280S-6	45	380	84.8	93.7	0.86	985	2.0	7.2	2.1	540
YBT280M-6	55	380	103	94.1	0.86	985	2.0	7.2	2.1	600
YBT280S-8	37	380	77.5	91.8	0.79	735	2.0	6.6	2.0	560
YBT280M-8	45	380	93.9	92.2	0.79	735	2.0	6.6	2.0	620
YBT315S-2	110	380	195	95.2	0.90	2975	2.2	7.2	2.3	940
YBT315M-2	132	380	234	95.4	0.90	2975	2.2	7.2	2.3	1060
YBT315L1-2	160	380	279	95.6	0.91	2975	2.2	7.2	2.3	1120
YBT315L2-2	200	380	349	95.8	0.91	2975	2.2	7.2	2.3	1160
YBT315S-4	110	380	199	95.4	0.88	1485	2.2	7.0	2.3	980
YBT315M-4	132	380	238	95.6	0.88	1485	2.2	7.0	2.3	1115
YBT315L1-4	160	380	285	95.8	0.89	1485	2.2	7.0	2.3	1165
YBT315L2-4	200	380	356	96.0	0.89	1485	2.2	7.0	2.3	1240
YBT315S-6	75	380	140	94.6	0.86	990	2.1	6.9	2.2	915
YBT315M-6	90	380	168	94.9	0.86	990	2.1	6.9	2.2	1020
YBT315L1-6	110	380	204	95.1	0.86	990	2.1	6.9	2.2	1120
YBT315L2-6	132	380	244	95.4	0.86	990	2.1	6.9	2.2	1230
YBT315S-8	55	380	112	92.5	0.81	740	1.8	6.6	2.0	860
YBT315M-8	75	380	151	93.1	0.81	740	1.8	6.6	2.0	1050
YBT315L1-8	90	380	179	93.4	0.82	740	1.8	6.6	2.0	1120
YBT315L2-8	110	380	218	93.7	0.82	740	1.8	6.6	2.0	1200
YBT315S-10	45	380	99.6	91.5	0.75	590	1.6	5.8	2.0	865
YBT315M-10	55	380	121	92.0	0.75	590	1.6	5.8	2.0	980
YBT315L1-10	75	380	162	92.5	0.76	590	1.6	5.8	2.0	1060
YBT315L2-10	90	380	191	93.0	0.77	590	1.6	5.8	2.0	1140
YBT355S1-2	185	380	323	95.7	0.91	2980	2.0	7.2	2.2	1480

型号 Type	功率 Output (kW)	电压 Voltage (V)	额定电流 Current (A)	效率 Efficiency (%)	功率因数 COSΦ	额定转速 Rated Speed (r/min)	堵转转矩 额定转矩 Tst/Tn	堵转电流 额定电流 Ist/In	最大转矩 额定转矩 Tm/Tn	重量 Weight (kg)
YBT355S2-2	200	380	349	95.8	0.91	2980	2.0	7.2	2.2	1520
YBT355M1-2	220	380	383	95.8	0.91	2980	2.0	7.2	2.2	1580
YBT355M2-2	250	380	436	95.8	0.91	2980	2.0	7.2	2.2	1680
YBT355L1-2	280	380	488	95.8	0.91	2980	2.0	7.2	2.2	1700
YBT355L2-2	315	380	549	95.8	0.91	2980	2.0	7.2	2.2	1820
YBT355S1-4	185	380	329	95.9	0.89	1490	2.0	7.0	2.2	1540
YBT355S2-4	200	380	356	96.0	0.89	1490	2.0	7.0	2.2	1600
YBT355M1-4	220	380	387	96.0	0.90	1490	2.0	7.0	2.2	1680
YBT355M2-4	250	380	440	96.0	0.90	1490	2.0	7.0	2.2	1720
YBT355L1-4	280	380	492	96.0	0.90	1490	2.0	7.0	2.2	1860
YBT355L2-4	315	380	554	96.0	0.90	1490	2.0	7.0	2.2	1940
YBT355S-6	160	380	292	95.6	0.87	990	2.0	6.9	2.2	1580
YBT355M1-6	185	380	338	95.7	0.87	990	2.0	6.9	2.2	1620
YBT355M2-6	200	380	365	95.8	0.87	990	2.0	6.9	2.2	1770
YBT355L1-6	220	380	401	95.8	0.87	990	2.0	6.9	2.2	1900
YBT355L2-6	250	380	456	95.8	0.87	990	2.0	6.9	2.2	205
YBT355L2-6	280	380	510	95.8	0.87	990	2.0	6.9	2.2	2130
YBT355S-8	132	380	260	94.0	0.82	740	1.8	6.4	2.0	1540
YBT355M-8	160	380	314	94.3	0.82	740	1.8	6.4	2.0	1740
YBT355L1-8	185	380	363	94.5	0.82	740	1.8	6.4	2.0	1920
YBT355L2-8	200	380	387	94.6	0.83	740	1.8	6.4	2.0	2010
YBT355S-10	90	380	191	93.0	0.77	590	1.5	6.0	2.0	1480
YBT355M1-10	110	380	230	93.2	0.78	590	1.5	6.0	2.0	1650
YBT355M2-10	132	380	275	93.5	0.78	590	1.5	6.0	2.0	1780
YBT355L1-10	160	380	333	93.5	0.78	590	1.5	6.0	2.0	1980
YBT355L2-10	185	380	385	93.5	0.78	590	1.5	6.0	2.0	2120

注: 若有特殊要求, 可按用户需求提供。 Please contact us with your requirement.