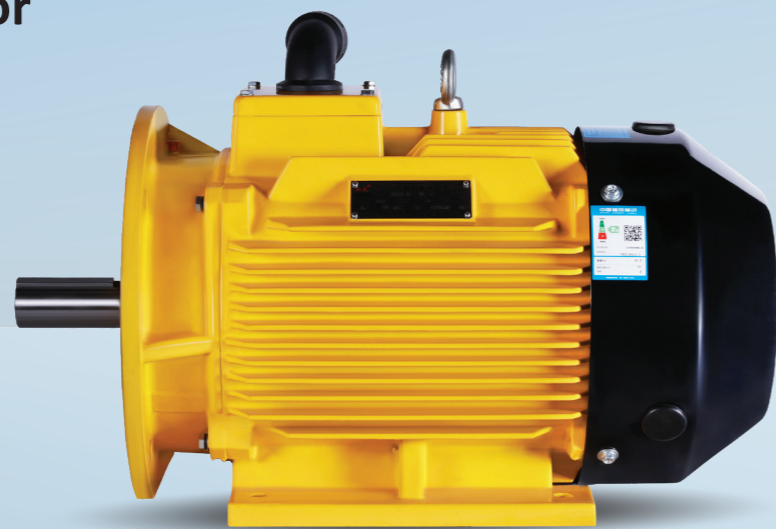


YE4

压缩机专用三相异步电动机

YE4 Series Screw Compressor Three-phase Asynchronous Motor



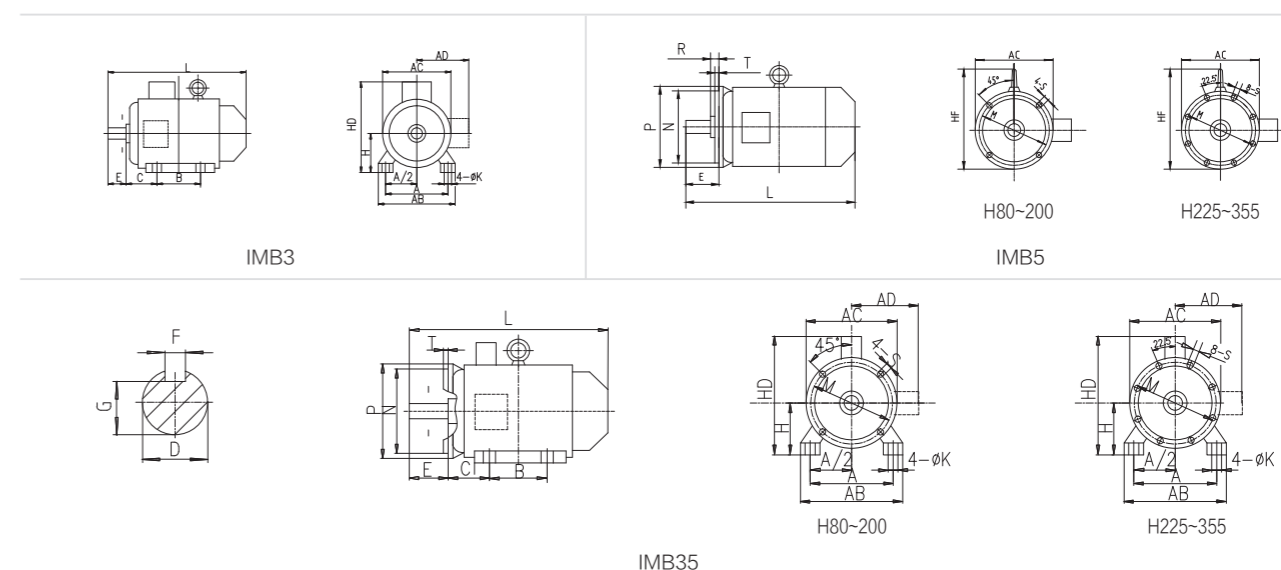
YE4系列螺杆压缩机专用三相异步电动机是我公司针对压缩机的特殊工况在YE4系列电动机的基础上设计开发的专用电动机,中心高80~355mm、0.75~375KW,绝缘等级F,额定按B级考核,服务系数SF=1.15和SF1.2(可根据客户要求提高服务系数设计)时按99K温升考核,电机采用原装进口大品牌轴承,确保轴承能长期在较高的温度下正常工作。引线线可以为客户定制,采用电缆护套管保护,两端带有管螺纹;本系列电机性能稳定,效率达到GB18613-2020能效限值2级。

YE4 series screw compressor 3 phase asynchronous motor is designed for the application in special working condition of compressor base on the super electric motor of YE4. its center height is 80-355mm, power is 0.55-375kw, insulation class is F, assessment as class B at rated power, SF is 1.15 & 1.2 (can be raising SF according to requirement), adopting the branded imported bearing make sure it is functionally and long term working under high temperature. Fixture wire can be OEM, adopting cable sleeve protection threaded at both ends. durable performance of this series of electric motor having efficiency meets IE4 in standard of GB18613-2020.

机座号 Frame Size	螺纹孔数与直径M Dia.of the thread(mm)	管螺纹孔数与直径M Dia.of the thread(mch)	外形尺寸 XxYxZ (mm)
132	1-M25 × 1.5	1-G3/4"	124 × 128 × 78
160-180	2-M32 × 1.5	2-G1"	158 × 168 × 90
200-225	2-M48 × 1.5	2-G1.5"	196 × 216 × 105
250-280	2-M60 × 1.5	2-G2"	226 × 226 × 124
315	2-M60 × 1.5	2-G2"	303 × 303 × 170
355	2-M76 × 2	2-G2.5"	360 × 485 × 200

注:若有特殊要求,可按用户需求提供。 Please contact us with your requirement.

YE4 系列压缩机专用高效三相异步电动机安装及外形尺寸图 YE4 Series Motor Mounting and Overall Dimensions



机座号 Frame Size	级数 Pole	安装尺寸Mounting Dimensions(mm)														外形尺寸Overall Dimensions(mm)						
		A	B	C	D	E	F	G	H	K	M	N	P	R	S	T	AB	AC	AD	HD	HF	L
132S		216	140	89	38	80	10	33	132	12	265	230	300	0	14.5	4	270	310	230	365	335	515
132M		216	178	89	38	80	10	33	132	12	265	230	300	0	14.5	4	270	310	230	365	335	550
160M	2	254	210	108	42	110	12	37	160	14.5	300	250	350	0	18.5	5	320	340	260	425	390	670
160L	4	254	254	108	42	110	12	37	160	14.5	300	250	350	0	18.5	5	320	340	260	425	390	700
180M	6	279	241	121	48	110	14	42.5	180	14.5	300	250	350	0	18.5	5	355	390	285	460	435	730
180L		279	279	121	48	110	14	42.5	180	14.5	300	250	350	0	18.5	5	355	390	285	460	435	780
200L		318	305	133	55	110	16	49	200	18.5	350	300	400	0	18.5	5	395	445	320	520	495	790
225S	4	356	286	149	60	140	18	53	225	18.5	400	350	450	0	18.5	5	435	495	350	575	550	830
225M	2	356	311	149	55	110	16	49	225	18.5	400	350	450	0	18.5	5	435	495	350	575	550	825
	4, 6				60	140	18	53	225													855
250M	2	406	349	168	60	140	18	53	250	24	500	450	550	0	18.5	5	490	550	390	635	615	920
	4, 6				65	140	18	58	250													
280S	2	457	368	190	65	140	18	58	280	24	500	450	550	0	18.5	5	550	630	435	705	675	980
	4, 6				75	140	20	67.5	280													
280M	2	457	419	190	65	140	18	58	280	24	500	450	550	0	18.5	5	550	630	435	705	675	1030
	4, 6				75	140	20	67.5	280													
315S	2	508	406	216	65	140	18	58	315	28	600	550	660	0	24	6	635	645	530	845	-	1210
	4, 6				80	170	22	71	315												1240	
315M	2	508	457	216	65	140	18	58	315	28	600	550	660	0	24	6	635	645	530	845	-	1320
	4, 6				80	170	22	71	315												1350	
315L	2	508	508	216	65	140	18	58	315	28	600	550	660	0	24	6	635	645	530	845	-	1320
	4, 6				80	170	22	71	315												1350	
355M	2	610	560	254	75	140	20	67.5	355	28	740	680	800	0	24	6	730	710	665	1010	-	1510
	4, 6				95	170	25	86	355												1550	
355L	2	610	630	254	75	140	20	67.5	355	28	740	680	800	0	24	6	730	710	665	1010	-	1510
	4, 6				95	170	25	86	355												1550	
3551	2	630	800	224	80	170	22	71	355	35	840	780	900	0	24	6	760	770	760	1130	-	1870
3552	4, 6				110	210	28	100	355												1920	
400	4, 6	710	900	224	120	210	32	109	400	35	940	880	1000	0	28	6	806	856	700	1100	-	1925

注:若有特殊要求,可按用户需求提供。 Please contact us with your requirement.

技术数据 Technical Data

型号 Type	功率 Output (kW)	额定转速 Rated Speed (r/min)	电流 Current 380V (A)	服务电流 Current 380V SF=1.15(A)	服务电流 Current 380V SF=1.2(A)	效率 Efficiency η (%)	功率因数 POWER Factor COS ϕ	堵转转矩 额定转矩 Tst/Tn	堵转电流 额定电流 Ist/In	最大转矩 输出转矩 Tm/Tn	重量 Weight (kg)
YE4-132S1-2	5.5	2915	10.45	12.01	12.54	90.9	0.88	2.0	9.5	2.3	68
YE4-132S2-2	7.5	2915	13.96	16.06	16.76	91.7	0.89	2.0	9.5	2.3	77
YE4-132S-4	5.5	1470	11.37	13.07	13.64	91.9	0.8	2.0	9.5	2.3	74
YE4-132M-4	7.5	1470	15.19	17.47	18.23	92.6	0.81	2.0	9.5	2.3	86
YE4-160M1-2	11	2955	20.28	23.32	24.34	92.6	0.89	2.0	9.5	2.3	128
YE4-160M2-2	15	2955	27.45	31.56	32.94	93.3	0.89	2.0	9.5	2.3	135
YE4-160L-2	18.5	2955	33.71	38.76	40.45	93.7	0.89	2.0	9.5	2.3	148
YE4-160M-4	11	1475	21.58	24.82	25.90	93.3	0.83	2.0	9.5	2.3	125
YE4-160L-4	15	1475	28.89	33.23	34.67	93.9	0.84	2.0	9.5	2.3	140
YE4-180M-2	22	2965	39.96	45.95	47.95	94	0.89	2.0	9.5	2.3	200
YE4-180M-4	18.5	1480	35.11	40.37	42.13	94.2	0.85	2.0	9.5	2.3	203
YE4-180L-4	22	1480	41.61	47.86	49.94	94.5	0.85	2.0	9.5	2.3	217
YE4-200L1-2	30	2970	54.20	62.33	65.04	94.5	0.89	2.0	9.0	2.3	240
YE4-200L2-2	37	2970	66.63	76.62	79.96	94.8	0.89	2.0	9.0	2.3	260
YE4-200L-4	30	1485	56.51	64.98	67.81	94.9	0.85	2.0	9.0	2.3	255
YE4-225M-2	45	2975	80.87	93.00	97.04	95	0.89	2.0	9.0	2.3	337
YE4-225S-4	37	1485	69.47	79.89	83.37	95.2	0.85	2.0	9.0	2.3	322
YE4-225M-4	45	1485	84.32	96.96	101.18	95.4	0.85	2.0	9.0	2.3	352
YE4-250M-2	55	2985	98.53	113.3	118.2	95.3	0.89	2.0	9.0	2.3	398
YE4-250M-4	55	1485	101.54	116.8	121.8	95.7	0.86	2.0	9.0	2.3	400
YE4-280S-2	75	2985	133.93	154.0	160.7	95.6	0.89	1.8	8.5	2.3	540
YE4-280M-2	90	2985	160.38	184.4	192.5	95.8	0.89	1.8	8.5	2.3	590
YE4-280S-4	75	1490	136.44	156.9	163.7	96	0.87	2.0	8.5	2.3	570
YE4-280M-4	90	1490	161.70	186.0	194.0	96.1	0.88	2.0	8.5	2.3	625
YE4-315S-2	110	2980	195.61	225.0	234.7	96	0.89	1.8	8.5	2.3	915
YE4-315M-2	132	2980	234.25	269.4	281.1	96.2	0.89	1.8	8.5	2.3	980

技术数据 Technical Data

型号 Type	功率 Output (kW)	额定转速 Rated Speed (r/min)	电流 Current 380V (A)	服务电流 Current 380V SF=1.15(A)	服务电流 Current 380V SF=1.2(A)	效率 Efficiency η (%)	功率因数 POWER Factor COS ϕ	堵转转矩 额定转矩 Tst/Tn	堵转电流 额定电流 Ist/In	最大转矩 输出转矩 Tm/Tn	重量 Weight (kg)
YE4-315L1-2	160	2980	283.64	326.2	340.4	96.3	0.89	1.8	8.5	2.2	1070
YE4-315L2-2	200	2980	353.82	406.9	424.6	96.5	0.89	1.8	8.5	2.2	1120
YE4-315S-4	110	1490	195.0	224.3	234.0	96.3	0.89	1.8	8.5	2.2	912
YE4-315M-4	132	1490	233.8	268.8	280.5	96.4	0.89	1.8	8.5	2.2	1010
YE4-315L1-4	160	1490	279.6	321.6	335.5	96.6	0.9	1.8	8.5	2.2	1080
YE4-315L2-4	200	1490	349.2	401.5	419.0	96.7	0.9	1.8	8.5	2.2	1200
YE4-355M-2	250	2980	432.6	497.4	519.1	96.5	0.91	1.6	8.5	2.2	1900
YE4-355L-2	315	2980	545.0	626.8	654.0	96.5	0.91	1.6	8.5	2.2	2300
YE4-355M1-4	220	1490	384.1	441.7	460.9	96.7	0.9	1.8	8.5	2.2	1580
YE4-355M-4	250	1490	436.5	501.9	523.7	96.7	0.9	1.8	8.5	2.2	1700
YE4-355L-4	315	1490	549.9	632.4	659.9	96.7	0.9	1.8	8.5	2.2	1900

注: 若有特殊要求, 可按用户需求提供。 Please contact us with your requirement.