

YVF2

变频调速三相异步电动机

YVF2 Series Variable Frequency Control Speed Three-phase Asynchronous Induction Motor



YVF2系列电机是可以采用变频器供电的三相异步电动机,是电机节能的一种典型应用,采用特殊的绝缘系统,使其能适用于变频器供电系统,一般额定电压380V,频率50Hz,5~50Hz为恒转矩,50~100Hz为恒功率,也可根据用户要求确定额定点的电压和频率,防护等级IP55、冷却方式IC416、安装方式符合IEC和DIN标准。

YVF2 series induction motor can be power supplied by transducer, it is a typical application in motor energy saving industry, using special insulation system, makes it applying to the power supply system by transducer. Generally rated voltage is 380V, frequency is 50Hz, delivering constant torque in 5~50Hz, delivering constant power in 50~100Hz, or also can be customized the rated voltage and frequency, protection grade is IP55, cooling type: IC416, mounting type fits the standard of IEC and DIN.

产品型号示例 Sample Product Model

YVF2 — 200L — 4

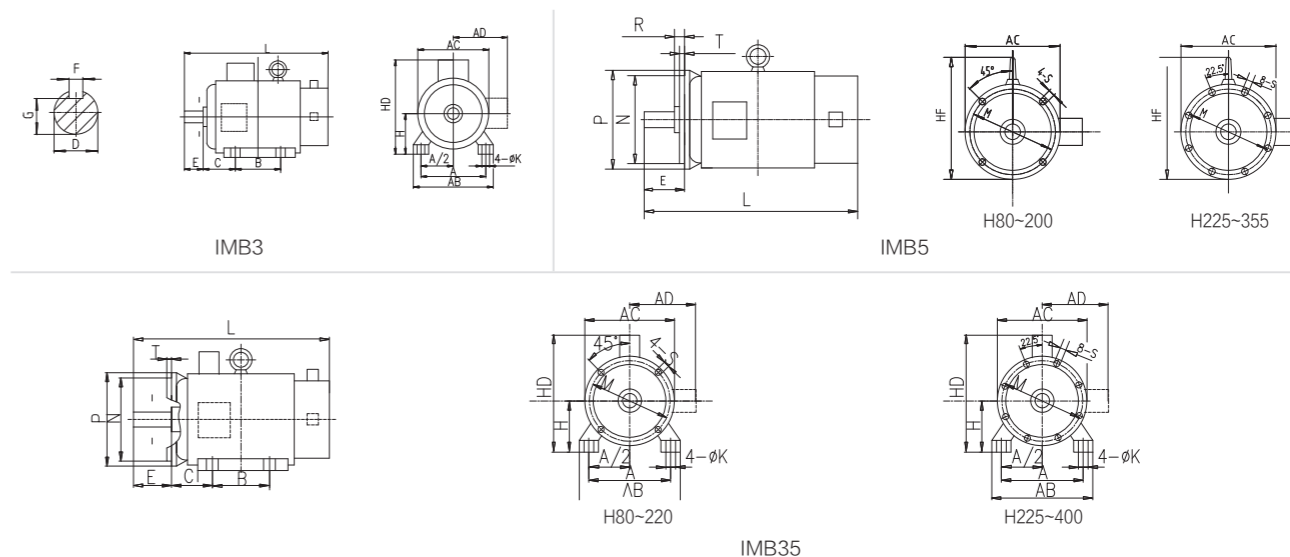
极数:4极
Pole count: 4 poles

规格代号。表示中心高200mm,L机座
Specification code: 200mm high, L stand

产品代号,表示异步电动机。变频系列
Product code: represents asynchronous motor. Variable frequency series

YVF2系列变频调速三相异步电动机安装及外形尺寸图

YVF2 Series Motor Mounting and Overall Dimensions



机座号 Frame Size	级数 Pole	安装尺寸Mounting Dimensions(mm)														外形尺寸Overall Dimensions(mm)						
		A	B	C	D	E	F	G	H	K	M	N	P	R	S	T	AB	AC	AD	HD	HF	L
80M		125	100	50	19	40	6	15.5	80	10	165	130	200	0	12	3.5	165	175	145	220	245	370
90S		140	100	56	24	50	8	20	90	10	165	130	200	0	12	3.5	180	195	165	260	265	430
90L		140	125	56	24	50	8	20	90	10	165	130	200	0	12	3.5	180	195	165	260	265	460
100L		160	140	63	28	60	8	24	100	12	215	180	250	0	14.5	4	205	215	180	270	305	500
112M		190	140	70	28	60	8	24	112	12	215	180	250	0	14.5	4	230	240	200	300	265	450
132S	2	216	140	89	38	80	10	33	132	12	265	230	300	0	14.5	4	270	275	230	345	315	515
132M	4	216	178	89	38	80	10	33	132	12	265	230	300	0	14.5	4	270	275	230	345	315	555
160M	6	254	210	108	42	110	12	37	160	14.5	300	250	350	0	18.5	5	320	330	260	420	385	665
160L		254	254	108	42	110	12	37	160	14.5	300	250	350	0	18.5	5	320	330	260	420	385	725
180M		279	241	121	48	110	14	42.5	180	14.5	300	250	350	0	18.5	5	355	380	285	455	430	715
180L		279	279	121	48	110	14	42.5	180	14.5	300	250	350	0	18.5	5	355	380	285	455	430	765
200L		318	305	133	55	110	16	49	200	18.5	350	300	400	0	18.5	5	395	420	320	505	480	790
225S	4	356	286	149	60	140	18	53	225	18.5	400	350	450	0	18.5	5	435	470	350	560	535	895
225M	2	356	311	149	55	110	16	49	225	18.5	400	350	450	0	18.5	5	435	470	350	560	535	890
	60				140	18	53	225	920													
250M	2	406	349	168	60	140	18	53	250	24	500	450	550	0	18.5	5	490	510	390	615	595	980
	65				140	18	58	250														
280S	2	457	368	190	65	140	18	58	280	24	500	450	550	0	18.5	5	550	580	435	680	650	1045
	75				140	20	67.5	280														
280M	2	457	419	190	65	140	18	58	280	24	500	450	550	0	18.5	5	550	580	435	680	650	1075
	75				140	20	67.5	280														
315S	2	508	406	216	65	140	18	58	315	28	600	550	660	0	24	6	635	645	530	845	-	1230
	80				170	22	71	315	1270													
315M	2	508	457	216	65	140	18	58	315	28	600	550	660	0	24	6	635	645	530	845	-	1340
	80				170	22	71	315	1370													
315L	2	508	508	216	65	140	18	58	315	28	600	550	660	0	24	6	635	645	530	845	-	1340
	80				170	22	71	315	1370													
355M	2	610	560	254	75	140	20	67.5	355	28	740	680	800	0	24	6	730	710	665	1010	-	1510
	95				170	25	86	355	1550													
355L	2	610	630	254	75	140	20	67.5	355	28	740	680	800	0	24	6	730	710	665	1010	-	1510
	95				170	25	86	355	1550													
400	4, 6	686	630/710	280	110	210	28	100	400	35	940	880	1000	0	28	6	806	856	700	1100	-	2080

注:若有特殊要求,可按用户需求提供。 Please contact us with your requirement.

技术数据 Technical Data

型号 Type	功率 Output (kW)	电压 Voltage (V)	电流 Current (A)	效率 Efficiency η(%)	额定转矩 (N.m)	调频范围 (Hz)	重量 Weight (kg)
YVF2-80M1-2	0.75	380	1.8	75.0	2.53	3-50Hz变频调速 Speed control for fixed torque output in 3-50Hz, Speed control for fixed power output in 50-60Hz	14
YVF2-80M2-2	1.1	380	2.6	76.2	3.71		16
YVF2-90S-2	1.5	380	3.4	78.5	5.04		19
YVF2-90L-2	2.2	380	4.7	81.0	7.40		24
YVF2-100L-2	3	380	6.3	82.6	10		29
YVF2-112M-2	4	380	8.2	84.2	13		43
YVF2-132S1-2	5.5	380	11.1	85.7	19		62
YVF2-132S2-2	7.5	380	14.7	87.0	25		67
YVF2-160M1-2	11	380	21.2	88.4	35.9		107
YVF2-160M2-2	15	380	28.3	89.4	48.9		115
YVF2-160L-2	18.5	380	34.7	90.0	60.3		132
YVF2-180M-2	22	380	41.0	90.5	71.5		172
YVF2-200L1-2	30	380	55.4	91.4	97		216
YVF2-200L2-2	37	380	67.9	92.0	120		235
YVF2-225M-2	45	380	82.1	92.5	145		284
YVF2-250M-2	55	380	99.8	93.0	177		362
YVF2-280S-2	75	380	133.8	93.6	241		485
YVF2-280M-2	90	380	160.0	93.9	289		524
YVF2-315S-2	110	380	195.4	94.0	353		900
YVF2-315M-2	132	380	230.7	94.5	423		1009
YVF2-315L1-2	160	380	279.3	94.6	513		1085
YVF2-315L2-2	200	380	348.4	94.8	641		1160
YVF2-355M-2	250	380	433.7	95.2	801		1832
YVF2-355L-2	315	380	545.0	95.4	1009		2500
YVF2-80M1-4	0.55	380	1.6	71.0	3.78		3-50Hz变频调速 Speed control for fixed torque output in 3-50Hz, Speed control for fixed power output in 50-100Hz
YVF2-80M2-4	0.75	380	2.1	73.0	5.15	17	
YVF2-90S-4	1.1	380	2.8	76.2	7.50	20	
YVF2-90L-4	1.5	380	3.7	78.5	10.2	25	
YVF2-100L1-4	2.2	380	5.1	81.0	14.7	30	
YVF2-100L2-4	3	380	6.7	82.6	20.0	34	
YVF2-112M-4	4	380	8.8	84.2	26.5	43	
YVF2-132S-4	5.5	380	11.7	85.7	36.5	63	
YVF2-132M-4	7.5	380	15.6	87.0	49.7	74	
YVF2-160M-4	11	380	22.5	88.4	72.0	115	
YVF2-160L-4	15	380	30.0	89.4	98.1	130	
YVF2-180M-4	18.5	380	36.3	90.0	120	180	
YVF2-180L-4	22	380	42.9	90.5	143	182	
YVF2-200L-4	30	380	58.0	91.4	195	268	
YVF2-225S-4	37	380	70.2	92.0	239	276	
YVF2-225M-4	45	380	85.0	92.5	290	311	
YVF2-250M-4	55	380	103.3	93.0	355	377	
YVF2-280S-4	75	380	139.9	93.6	484	480	
YVF2-280M-4	90	380	167.4	93.9	581	585	
YVF2-315S-4	110	380	201.0	94.5	710	1000	
YVF2-315M-4	132	380	240.4	94.8	846	1100	
YVF2-315L1-4	160	380	287.8	94.9	1026	1120	
YVF2-315L2-4	200	380	359.8	94.9	1282	1142	
YVF2-90S-6	0.75	380	2.3	69.0	7.87	21	
YVF2-90L-6	1.1	380	3.2	72.0	11.5	23	
YVF2-100L-6	1.5	380	4.0	76.0	15.2	30	
YVF2-112M-6	2.2	380	5.6	79.0	22.4	40	
YVF2-132S-6	3	380	7.4	81.0	29.8	54	
YVF2-132M1-6	4	380	9.8	82.0	39.8	62	
YVF2-132M2-6	5.5	380	12.9	84.0	54.7	75	
YVF2-160M-6	7.5	380	17.2	86.0	73.8	109	
YVF2-160L-6	11	380	24.5	87.5	108	135	
YVF2-180L-6	15	380	31.6	89.0	148	170	

技术数据 Technical Data

型号 Type	功率 Output (kW)	电压 Voltage (V)	电流 Current (A)	效率 Efficiency η(%)	额定转矩 (N.m)	调频范围 (Hz)	重量 Weight (kg)
YVF2-200L1-6	18.5	380	38.6	90.0	182	3-50Hz变频调速 Speed control for fixed torque output in 3-50Hz, Speed control for fixed power output in 50-100Hz	207
YVF2-200L2-6	22	380	44.7	90.0	217		222
YVF2-225M-6	30	380	59.3	91.5	292		290
YVF2-250M-6	37	380	71.1	92.0	361		355
YVF2-280S-6	45	380	85.9	92.5	439		460
YVF2-280M-6	55	380	104.7	92.8	536		511
YVF2-315S-6	75	380	141.7	93.5	723		870
YVF2-315M-6	90	380	169.5	93.8	868		900
YVF2-315L1-6	110	380	206.7	94.0	1061		1004
YVF2-315L2-6	132	380	244.7	94.2	1273		1024
YVF2-355M1-6	160	380	292.3	94.5	1543		1460
YVF2-355M-6	185	380	338.0	94.5	1767		1360
YVF2-355M2-6	200	380	367.0	94.5	1929		1650
YVF2-355M3-6	220	380	402.7	94.5	2101		1700
YVF2-355L-6	250	380	456.4	94.5	2412		1800
YVF2-400M1-6	315	380	574	95.8	3008		3000
YVF2-400M2-6	355	380	647	95.8	3390		3100
YVF2-400L-6	400	380	719	96.0	3820		3200
YVF2-132S-8	2.2	380	6.0	78.0	30		63
YVF2-132M-8	3	380	7.9	79.0	40		79
YVF2-160M1-8	4	380	10.3	81.0	53		118
YVF2-160M2-8	5.5	380	13.6	83.0	73		119
YVF2-160L-8	7.5	380	17.8	85.5	100		138
YVF2-180L-8	11	380	25.1	87.5	146		185
YVF2-200L-8	15	380	34.1	88.0	196		215
YVF2-225S-8	18.5	380	41.1	90.0	242	264	
YVF2-225M-8	22	380	47.4	90.5	288	285	
YVF2-250M-8	30	380	63.4	91.0	392	372	
YVF2-280S-8	37	380	77.8	91.5	478	470	
YVF2-280M-8	45	380	94.1	92.0	581	540	
YVF2-315S-8	55	380	111.2	92.8	710	790	
YVF2-315M-8	75	380	151.3	93.0	968	945	
YVF2-315L1-8	90	380	177.8	93.8	1161	1025	
YVF2-315L2-8	110	380	216.8	94.0	1420	1130	
YVF2-355M1-8	132	380	261.0	93.7	1704	1550	
YVF2-355M2-8	160	380	314.7	94.2	2065	1570	
YVF2-355L1-8	185	380	363.1	94.4	2356	1600	
YVF2-355L-8	200	380	387.4	94.5	2581	1680	
YVF2-355M1-4	220	380	394.5	95.2	1401	1520	
YVF2-355M-4	250	380	443.3	95.2	1602	1525	
YVF2-355L1-4	280	380	496.5	95.2	1783	1918	
YVF2-355L-4	315	380	558.6	95.2	2019	1775	
YVF2-355L3-4	355	380	629.5	95.2	2260	2275	
YVF2-400M1-4	400	380	723	95.5	2546	3000	
YVF2-400M2-4	450	380	804	95.5	2884	3100	
YVF2-400L1-4	500	380	893	95.5	3204	3200	
YVF2-400L2-4	560	380	996	95.6	3589	3400	
YVF2-400L3-4	630	380	1120	96.0	4038	3400	

注: 若有特殊要求, 可按用户需求提供。 Please contact us with your requirement.